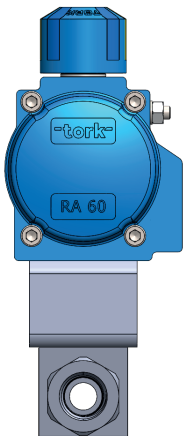
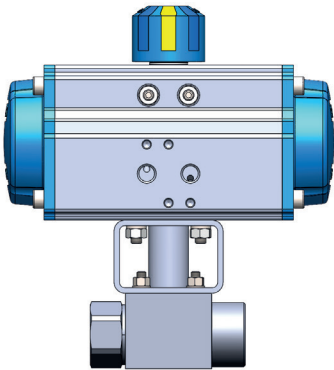


ACTUATED HYDRAULIC BALL VALVE DOUBLE ACTING (PAV-914)



Steel body, threaded connection, 2 way hydraulic ball valve, pneumatic actuated valve series. It is resistance to high pressure: 300...400 bar.

- DA: Doub acting actuated ball valve
- SR: Spring return actuated ball valve

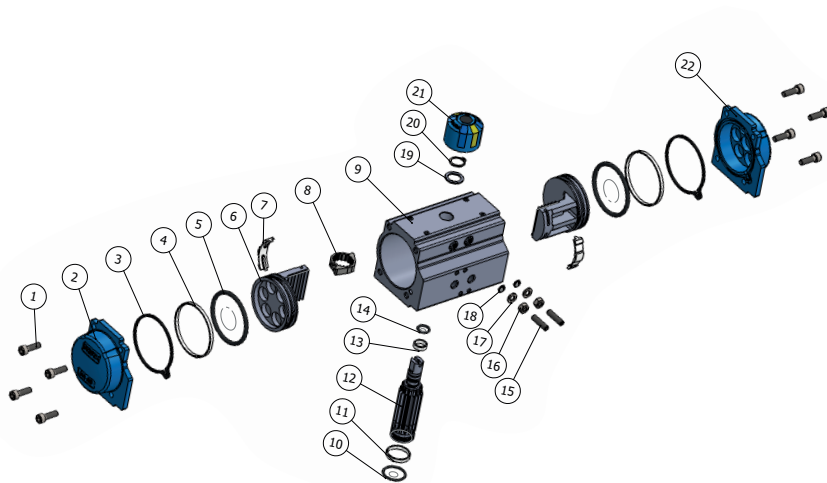
APPLICATIONS

Pressures oil, oils, non-corrosive fluids (corosiv türkçede korozif olarak değiştirilmeli), nitrogen, air, oxygen applications

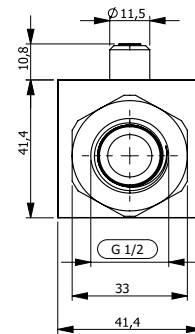
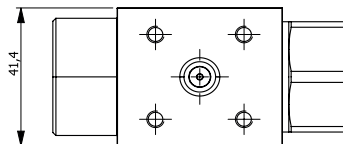
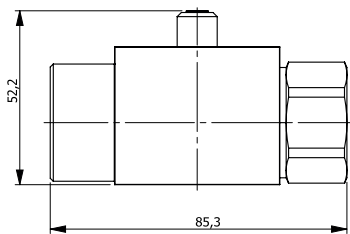
ACTUATOR FEATURES

Body	: Aluminum extrusion, anodized surface, hard anodized.
Cap	: Aluminum injection, blue color electrostatic painted.
Pistons	: Aluminum injection
Supply Air	: 4-6 bar compressed air (recommendation: air through filter, regulator, lubricator)
Indicator	: Red valve open-close indicator on each actuator.
Connections	: valve connection ISO5211, solenoid valve, switch box, Namur

*It is suitable for use at high temperatures (max: 160C) with Viton seal.



22	CAP	1
21	PLASTIC SMALL INDICATOR	1
20	PISTON RING	1
19	PISTON SHAFT RING	1
18	O-RING-VITON	2
17	STAMP	2
16	NUT	2
15	SET SCREW	2
14	O-RING - VITON	1
13	DELRIN MİL	1
12	MİL	1
11	DELRIN MİL	1
10	O-RING-VITON	1
9	BODY	1
8	STOPPER	1
7	DELRIN PISTON	2
6	PISTON	2
5	O-RING-VITON	2
4	DELRIN PISTON	2
3	GASKET CAP	2
2	CAP LEFT	1
1	BOLT	8
NO	PART NAME	PIECES



BALL VALVE FEATURES

- Body : Full bore, steel, three-piece
- Way : It is two-way, mounts in any position and gives flow passage in two directions.
- Oring : PTFE around the ball and throat oring (two) PTFE
- Pressure : It is designed for low pressure and high pressure.
- Working Temperature : -20...80 C
- Working Pressure : PN 300 bar(1/2"...1 1/4",1 1/2"...2")
- On request : two-piece ball valve available on request.

