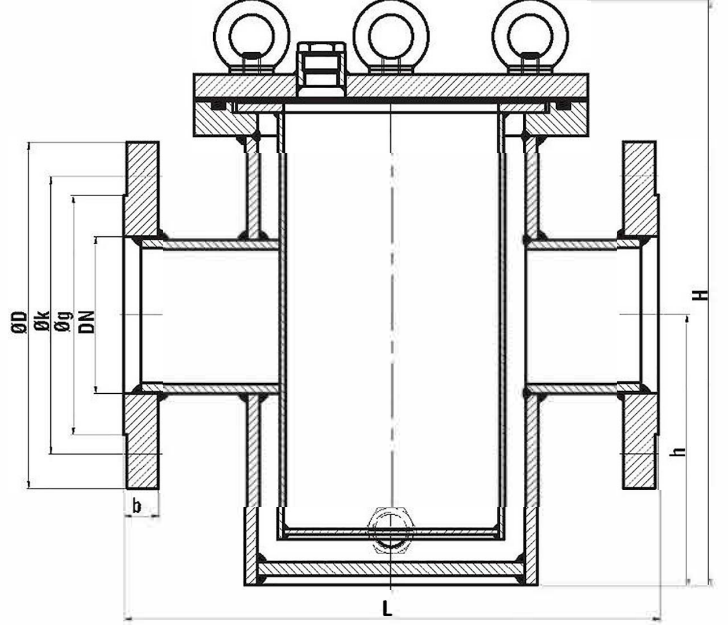


## Çamur Sandığı / Mud Box



| NO | PARÇA ADI | PART NAME  | MATERIAL              |
|----|-----------|------------|-----------------------|
| 1  | GÖVDE     | BODY       | ST42                  |
| 2  | BORU      | PIPE       | ST42                  |
| 3  | FLANŞ     | FLANGE     | ST42                  |
| 4  | MANŞON    | SLEEVE     | AISI 304              |
| 5  | KÖR TAPA  | PLUG       | Ms 58                 |
| 6  | SEPET     | SCREEN     | GAL. STEEL / AISI 316 |
| 7  | ÜST FLANŞ | TOP FLANGE | ST42                  |

| NO | PARÇA ADI    | PART NAME  | MATERIAL |
|----|--------------|------------|----------|
| 8  | O RING       | O RING     | NBR      |
| 9  | ÜST KAPAK    | TOP BONNET | ST42     |
| 10 | AYBOLT SOMUN | RING BOLT  | SAE 1040 |
| 11 | AYBOLT SOMUN | RING BOLT  | SAE 1040 |
| 12 | DRAIN VALVE  | BOLT       | MS58     |

| DN  | ØD  | Øk  | Øg  | L   | b  | h   | H    | Ødxn  | KG   |
|-----|-----|-----|-----|-----|----|-----|------|-------|------|
| 32  | 140 | 100 | 78  | 200 | 18 | 96  | 255  | 18x4  | 13   |
| 40  | 150 | 110 | 88  | 200 | 18 | 96  | 255  | 18x4  | 13   |
| 50  | 165 | 125 | 102 | 230 | 20 | 106 | 280  | 18x4  | 14,5 |
| 65  | 185 | 145 | 122 | 290 | 20 | 134 | 310  | 18x4  | 24   |
| 80  | 200 | 160 | 138 | 310 | 22 | 156 | 340  | 18x8  | 32   |
| 100 | 220 | 180 | 158 | 350 | 24 | 185 | 395  | 18x8  | 40   |
| 125 | 250 | 210 | 188 | 400 | 26 | 229 | 485  | 18x8  | 55   |
| 150 | 285 | 240 | 212 | 480 | 26 | 268 | 538  | 22x8  | 82   |
| 200 | 340 | 295 | 268 | 600 | 30 | 320 | 640  | 22x12 | 150  |
| 250 | 405 | 355 | 320 | 640 | 32 | 350 | 695  | 26x12 | 200  |
| 300 | 460 | 410 | 370 | 760 | 32 | 420 | 795  | 26x12 | 240  |
| 350 | 520 | 470 | 438 | 800 | 30 | 400 | 830  | 26x16 | -    |
| 400 | 580 | 525 | 490 | 800 | 32 | 424 | 900  | 30x16 | -    |
| 500 | 715 | 650 | 610 | 950 | 34 | 550 | 1130 | 33x20 | -    |

### UYGULAMA ALANLARI / APPLICATIONS

SİTİNE SİSTEMLERİNDE, EMİŞ VE DEŞARJ HATTINDA, DENİZ SOĞUTMA SUYUNDA/  
BILGE SYSTEMS, SUCTION AND DISCHARGE LINES, SEA COOLING WATER

ÇALIŞMA BASINCI / PRESSURE RATING: PN4

FLANŞ SEÇENEKLERİ / FLANGE OPTIONS: ANSI veya JIS, özel flanş yapılabilir/Special flange drilling acc.to ANSI or JIS