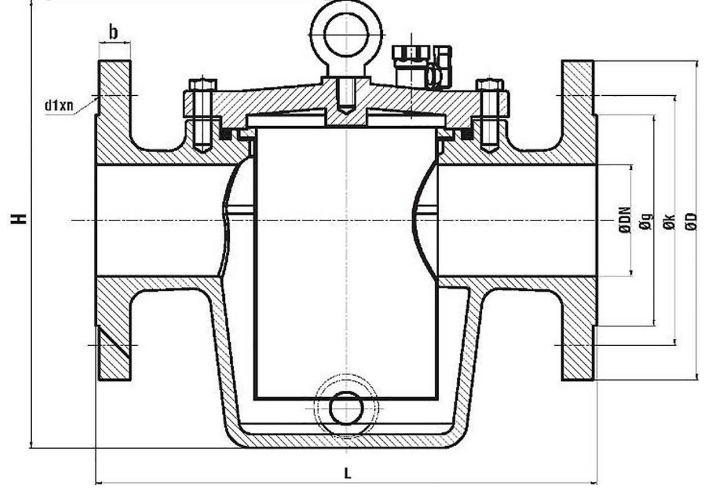


Çamur Sandığı(Düz Tip) / Mud Box(Straight Type)



NO	PARÇA ADI	PART NAME	MATERIAL	DN	L	H	ØD	Øk	Øg	b	Ød1xn	KG
	GÖVDE	BODY	GGG 40,3/RG5-RG10 BRONZE	32	200	200	140	100	78	18	18x4	10
2	SEPET	SCREEN	GAL.STEEL/AISI 316 / BRASS	40	200	200	150	110	88	20	18x4	10
3	O RING	O RING	NBR	50	230	221	165	125	102	20	18x4	14
4	KAPAK	BONNET	GGG 40,3/RG5-RG10 BRONZE	65	290	254	185	145	122	20	18x4	21
5	CİVATA	BOLT	STEEL	80	310	290	200	160	138	22	18x8	27
6	KÖR TAPA	PLUG	MS 58	100	350	335	220	180	158	24	18x8	36
7	KÜRESEL VANA	BALL VALVE	MS 58	125	400	407	250	210	188	26	18x8	56
8	AYBOLT CİVATA	RING BOLT	SAE 1040	150	480	460	285	240	212	26	22x8	78
				200	600	575	340	295	268	30	22x12	130
				250	600	610	405	355	320	32	26x12	160
				300	600	750	460	410	378	26	26x12	
				350	800	740	505	460	438	35	26x16	
				400	740	875	580	525	490	32	30x16	

UYGULAMA ALANLARI / APPLICATIONS

SİNTİNE SİSTEMLERİNDE, EMİŞ VE DEŞARJ HATTINDA, DENİZ SOĞUTMA SUYUNDA/

BILGE SYSTEMS, SUCTION AND DISCHARGE LINES, SEA COOLING WATER

ÇALIŞMA BASINCI / PRESSURE RATING: PN4

FLANŞ SEÇENEKLERİ / FLANGE OPTIONS: ANSI veya JIS, özel flanş yapılabilir/Special flange drilling acc.to ANSI or JIS