

Solenoid Big Coil C 50 Series

GENERAL FEATURES

- Vacuum, High pressure, cryogenic applications
- Available for S1000 series solenoid valves.

ELECTRICAL CHARACTERISTICS

Continuous Duty	: ED %100
Coil Insulation Class	: H (180°C)(IEC 85)
Coil Impregnation	: Polyester Fiber Glass
Ambient Temperature	: -10°C, +60°C
Protection Degree	: IP65 (ISO 60529) On request; IP68
Electric Plug Connection	: DIN 46340 3-Poles Connector (DIN 43650)
Connector Specification	: ISO 4400 / EN 175301-803 Form A, Spade Plug (Cable Ø6-8 mm)
Electrical Safety	: IEC 335
Standard Voltages	: AC 24V 35VA, 110V 30VA, 120V 42VA, 230V 35VA, 230V 42VA DC 12V 40W, 24V 40W

On request other voltages

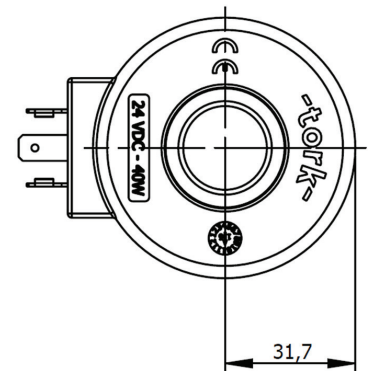
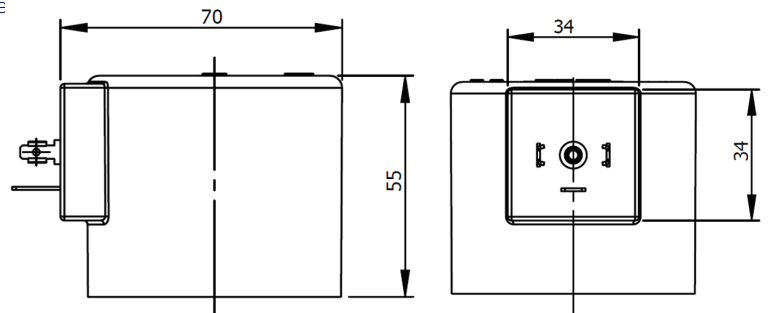
Voltages Tolerance : AC -15%, +10% DC -5%, +10%

Frequency : 50 Hz (60 Hz...)

On request; Connector with LED, PWM Socket Specify coil voltage

COIL MATERIALS

Body	: Polyamide 6
Internal Parts	: Stainless Steel, Brass
Shading Ring	: Copper (EN 12735-1)



POWER RATES			
Alternative Current (AC)			
Coil Type	Voltage	Energy (VA)	Currents (A)
C50024VAC35VA	24	35	1,50
C50110VAC30VA	110	30	0,27
C50120VAC42VA	120	35	0,31
C50230VAC35VA	230	35	0,16
C50230VAC42VA	230	42	0,19

POWER RATES			
Direct Current (DC)			
Coil Type	Voltaj	Energy (VA)	Currents (A)
C50012VDC40W	12	40	3,61
C50024VDC40W	24	40	1,73

Coils	Nominal Values	Cold/Hot	Inrush	Holding	Current (A)	Surface Temperature (°C)
C50012VDC40W	12VDC 40W	COLD	43,32	43,32	3,61	24
		HOT	30,05	30,05	2,50	95
C50024VDC40W	24VDC 40W	COLD	41,52	41,52	1,73	24
		HOT	30,20	30,20	1,26	95
C50024VAC35VA	24VAC 35VA	COLD	40,80	36,15	1,50	24
		HOT	40,32	31,68	1,32	90
C50110VAC30VA	110VAC 30VA	COLD	39,60	29,92	0,27	24
		HOT	36,85	27,94	0,25	92
C50120VAC42VA	120VAC 42VA	COLD	45,24	37,56	0,31	24
		HOT	42,48	35,04	0,29	99
C50230VAC35VA	230VAC 35VA	COLD	43,24	36,57	0,16	24
		HOT	41,40	34,73	0,15	102
C50230VAC42VA	230VAC 42VA	COLD	50,60	43,93	0,19	24
		HOT	46,69	40,94	0,18	106