

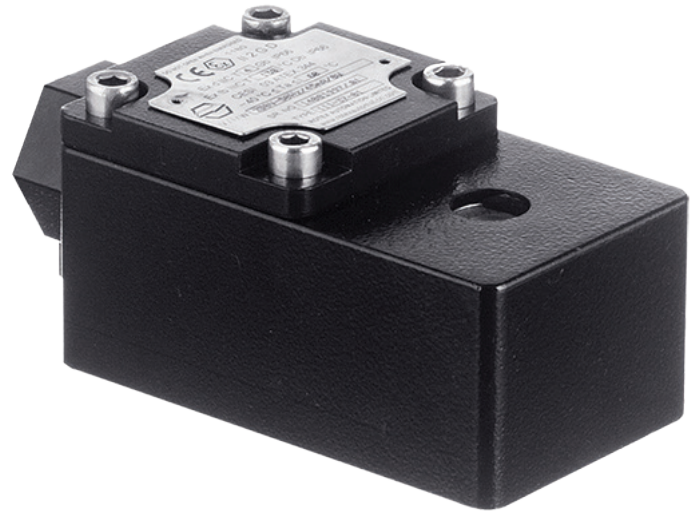
ATEX D Class Flame Proof Coil C43 Series

GENERAL FEATURES

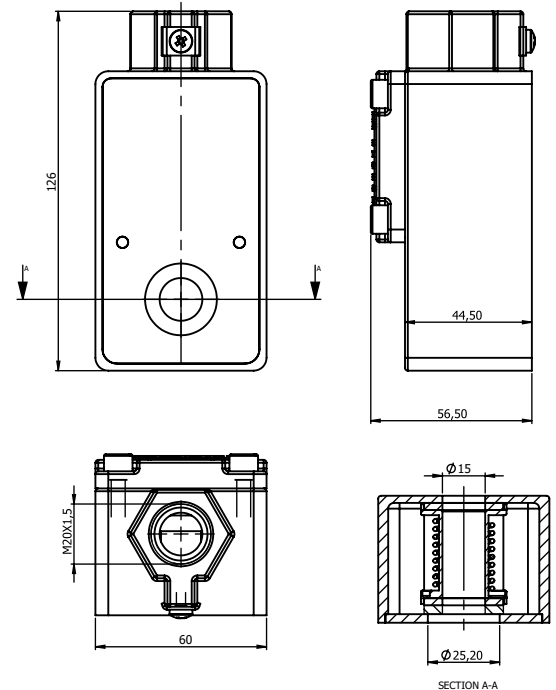
- Better performance
- Long life
- Aluminium body
- D class ATEX Certificate

SPECIFICATIONS

Continuous Duty	: ED %100
Coil Insulation Class	: H (180°C)(IEC 85)
Body material	: Aluminum, Protection coated
Coil Filling	: Atex Resin
Ambient Temperature	: -10°C, +60°C
Protection Degree	: IP67 (ISO 60529)
Electrical Safety	: IEC 335
Standard Voltages	: AC; 12V / 24V / 48V / 110V / 230V 15VA, 230V 24VA DC; 12V / 24V / 48V / 110V 18W (On request other voltages)
Voltages Tolerance	: AC/DC ±10%
ATEX Class	: II 2G Ex d II C T4 Gb
Gland Entry	: M20 x 1,5, on request 1/2" NPT
Frequency	: 50 / 60 Hz



- Note** : The product is sold without gland and cable. Please give coil voltage in orders. See the coil section for detailed information.
- Important warning** : No idle energy should be given to the coil, energy should be given while it is on the valve. Coil grounding must be done in terms of safety.



COILS

POWER RATINGS			
Alternating Current (AC)			
Coil Type	Voltage	Power (VA)	Current (A)
C43012VAC15VA	12	15	1,25
C43024VAC15VA	24	15	0,521
C43048VAC15VA	48	15	0,312
C430110VAC15VA	110	15	0,12
C430230VAC15VA	230	15	0,06
C430230VAC24VA	230	24	0,096

POWER RATINGS			
Direct Current (DC)			
Coil Type	Voltage	Power (W)	Current (A)
C43012VDC18W	12	18	1,5
C43024VDC18W	24	18	0,8
C43048VDC18W	48	18	0,37
C430110VDC18W	110	18	0,163

Coil	Nominal Values	Cold/ Hot	Inrush (w)	Holding (w)	Current (A)	Surface Temperature (°C)
C43012VDC18W	12VDC 18W	COLD	19,56	19,56	1,63	20
		HOT	14,52	14,52	1,21	106
C43024VDC18W	24VDC 18W	COLD	20,88	20,88	0,87	25
		HOT	14,64	14,64	0,61	116
C43110VDC18W	110VDC 18W	COLD	19,96	19,96	0,18	23
		HOT	13,56	13,56	0,123	115
C43012VAC15VA	12VAC 15VA	COLD	23,81	16,43	1,3	25
		HOT	-	15,86	1,262	79
C43024VAC15VA	24VAC 15VA	COLD	25,82	15,02	0,62	22
		HOT	-	13,91	0,57	81
C43110VAC15VA	110VAC 15VA	COLD	30,65	15,17	0,137	24
		HOT	-	13,96	0,126	80
C43230VAC15VA	230VAC 15VA	COLD	31,4	15,64	0,068	25
		HOT	-	14,41	0,063	80
C43230VAC24VA	230VAC 24VA	COLD	45,1	23,92	0,0154	23
		HOT	-	21,62	0,0154	100