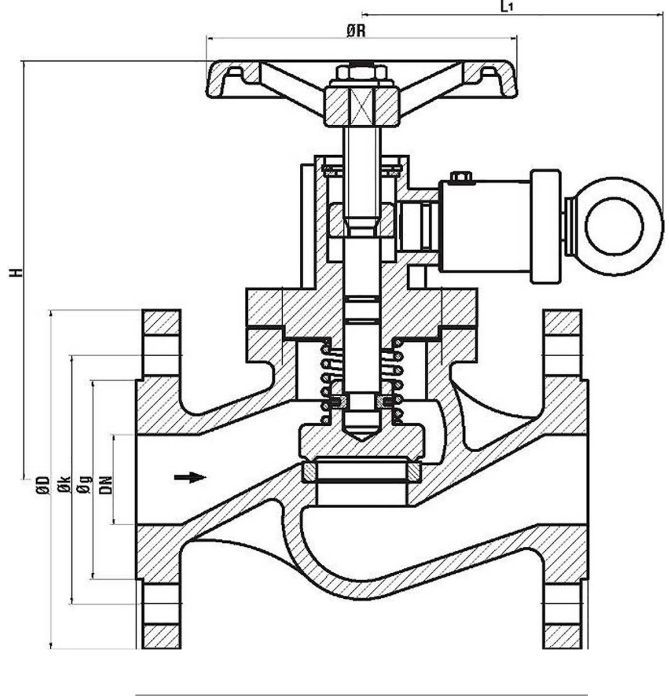


Ani Kapama Vanası (Düz Tip) (BV,TL,RMRS Tip Onaylı) Quick Closing Valve (Straight Type) (BV,TL,RMRS Type Approved)



NO	PARÇA ADI	PART NAME	MATERIAL
1	GOVDE	BODY	GGG40.3
2	SİT	SEAT	X20Cr13 / 304
3	KAPAK	BONNET	GGG40.3
4	MİL	STEM	X20Cr13 / 304
5	O-RİNG	O-RİNG	VİTON
6	GÖSTERGE SOMUNU	INDICATOR NUT	X20Cr13 / Ms58
7	YAY	SPRING	SPRING STEEL C
8	KLAPİ	DISC	X20Cr13 / 304
9	SETSKUR	SCREW	304

NO	PARÇA ADI	PART NAME	MATERIAL
10	PUL	WASHER	ST37
11	EMNİYET SEGMANI	SECURITY RING	SPRING STEEL
12	CONTA	GASKET	KLİNGERİT
13	CİVATA	BOLT	8.8 STEEL
14	HENDİL	HANDWHEEL	GG25
15	SOMUN & PUL	NUT & WASHER	STEEL
16	ACTİVATOR	ACTUATOR	X20Cr13 / Ms58
17	SETSKUR	SCREW	304
18	PİM	PIN	304

DN	ØD	Øk	Øg	L	b	ØR	H	L1	STROK	Ødxn	KG
15	95	65	45	130	14	110	160	134	9	14x4	4,5
20	105	75	58	150	16	110	160	134	9	14x4	5,4
25	115	85	68	160	16	110	165	134	12	14x4	6
32	140	100	78	180	18	140	170	134	13	18x4	8,4
40	150	110	88	200	18	140	185	134	15	18x4	10,4
50	165	125	102	230	20	160	190	136	20	18x4	15
65	185	145	122	290	20	160	205	136	22	18x4	20
80	200	160	138	310	22	200	250	136	25	18x8	23
100	220	180	158	350	24	220	270	136	30	18x8	36
125	250	210	188	400	26	220	315	160	34	18x8	55
150	285	240	212	480	26	220	360	160	42	18x8	74

UYGULAMA ALANLARI / APPLICATIONS
YAĞ VE DİZEL SİSTEMLERDE/ OILAND FUEL SYSTEMS
ÇALIŞMA ŞARTLARI / WORKING CONDITIONS: DIN 2401
BAĞLANTILAR / ENDS: DIN 2501
VANA BOYUTLARI / VALVE DIMENSIONS: DIN 3202-F1
ÇALIŞMA SICAKLIĞI / WORKING TEMP. : -10°C / 220°C
ÇALIŞMA BASINCI / WORKING PRESSURE: PN16

FACE TO FACE DIMENSIONS TS EN 558-1