

# VSF114-VSF138-VSF121-VSF121/34 LL

Aluminium relief valves,  
suitable for compressed air and gas



## FEATURES

Relief valve for pressure up to 15 bar (217,5 psi).

Inlet and outlet connections 1/4" – F, 3/8" – F, 3/4" – F and 1/2" – F.

The relief valve opens when the inlet pressure increases above the set point initially regulated by the adjusting screw and it closes when the pressure goes down under the set point.

Set point pressure is controlled by a rubber diaphragm.

The product complies with the directive 2014/68/EU PED.

## **SPECIFICATIONS**

Diaphragm relief valve weight: ~0.7 kg / ~1,54 lb (VSF114 and VSF138)

~0.8 kg / ~1,76 lb (VSF121 and VSF121/34)

Working temperature: -20 °C ÷ +60 °C (-4°F ÷ +140°F) for standard version

Degree of protection: IP25

## **MATERIALS**

Body and bonnet: aluminium

Internal parts: brass

Adjusting spring: C85 / AISI302 (not in contact with the fluid)

O-Ring: NBR (other compounds available on request)

Main valve gasket: NBR (other compounds available on request)

Diaphragm: NBR + PTFE (PTFE in contact with the fluid)

## **ACCESSORIES**

Panel mounting nut

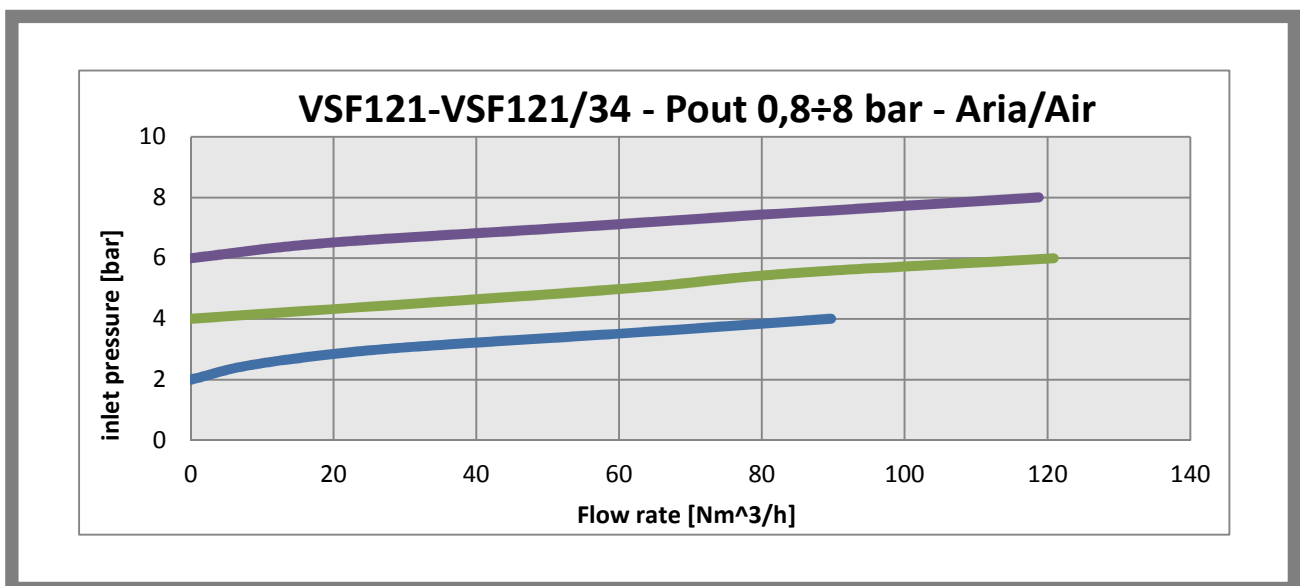
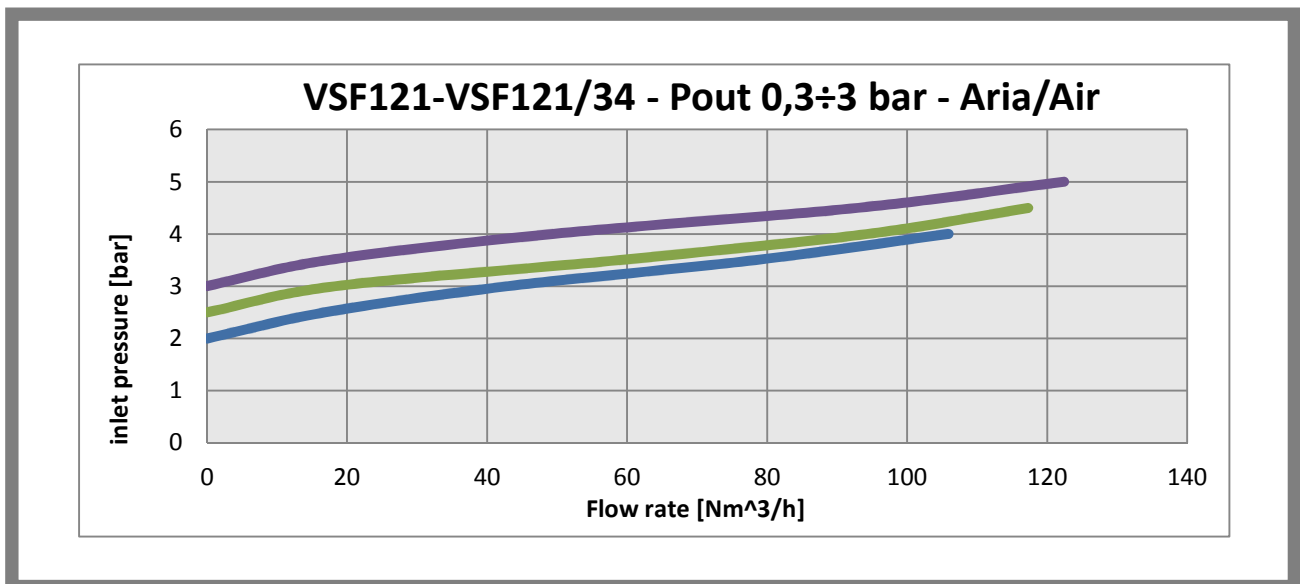
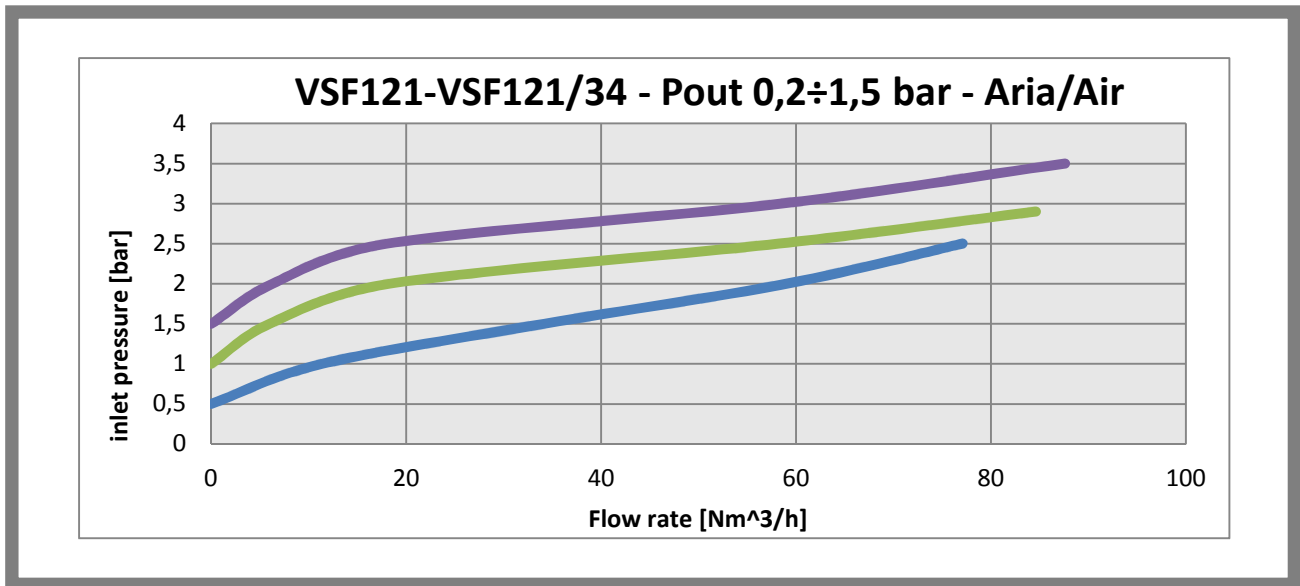
Wall mounting bracket (10 pcs package)

Pre-set version: factory set relief pressure

## **SPARE PARTS**

Complete kit: main valve, diaphragm and o-ring

# flow charts



## generating the product code

VALVOLE DI SFIORO ST LL			
AA BB CC D EE			
AA	Attacchi / Connections	L0	VS138 G 3/8-F
		N0	VS114 G 1/4-F
		P0	VS121 G 1/2-F
		Q0	VS121 G 3/4-F
BB	Intervallo uscita / Outlet range	A0	PS 0,2 - 1,5 bar
		B0	PS 0,3 - 3 bar
		D0	PS 0,8 - 8 bar
		E0	PS 1,5 - 15 bar
CC	Tipologia di fluido / Fluid type	97	NBR
		98	EPDM
		99	FPM
D	Marchiato / Marked	I	ID
EE	Accessori / Accessories	00	Nessun accessorio

### CODE COMPOSITION EXAMPLE

**S22# P0 B0 97 I 00**

**S22#:** ST LL relief valves

**P0:** Connections G 1/2 – F

**B0:** Relief pressure range 0,3 – 3 bar (4,35 – 43,5 psi)

**97:** NBR gaskets

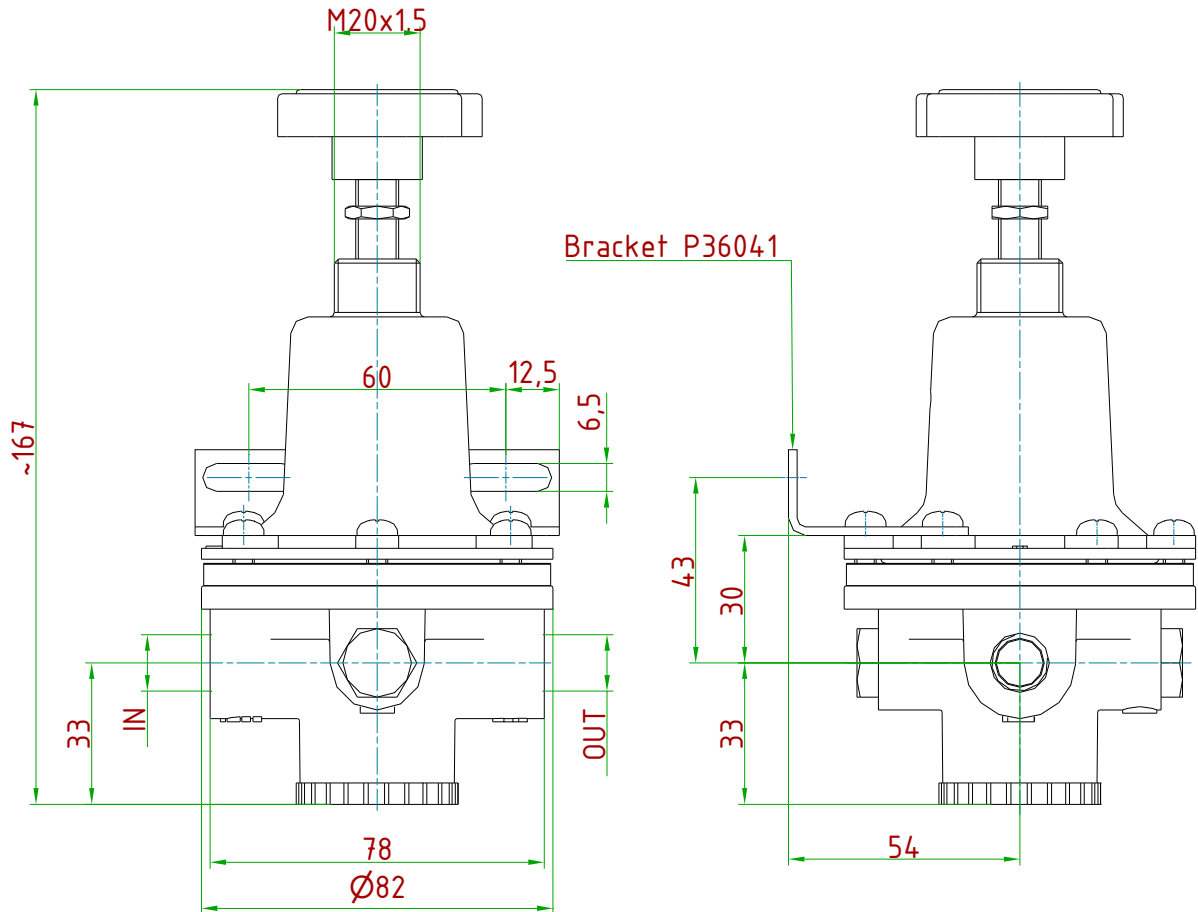
**I:** Insert Deal

**00:** No accessories

# technical drawings (all dimensions in mm)

Bracket to be ordered separately: kit order number M12201 (10 pieces)  
 M20x1.5 NUT: Order number ODN51000

TYPE	IN/OUT
VS114 1/4" GF	G 1/4-F
VS138 3/8" GF	G 3/8-F



# technical drawings (all dimensions in mm)

Bracket to be ordered separately: Kit order number M12201 (10 pieces)  
 M20x1.5 NUT: Order number ODN51000

TYPE	IN/OUT
VS121 1/2" GF	G 1/2-F
VS121 3/4" GF	G 3/4-F

