

# R3114-R3138-R3121

Stainless steel AISI 316L pressure regulator,  
for compressed air, gas and liquid



## FEATURES

Pressure regulator for inlet pressure up to 50 bar (725 psi).

Connection ports:

R3114 1/4"-F

R3138 3/8"-F

R3121 1/2"-F

Different connections available on request:  
3/4" or welded flanges.

Outlet pressure, up to 15 bar (217 psi), is controlled by stainless steel diaphragm; greater outlet pressure are controlled by a piston.

Balanced main valve

Available the ATEX 2014/34/EU version.

Brand  $\text{CE II 2 Gc II CTX}$

$\text{CE II 2 Dc II CTX}$ .

For use in potentially explosive atmosphere zones: 1, 21, 2, 22 (not applicable in mines and zone 0).

Available the EAC-EX TP TC 012/2011 versions for the Russian market.

The product complies with the 2014/68/EU PED directive.

The product is registered at the Canadian authority ABSA, CRN 0C11053.2, and can be sold and used in Canada.

## **SPECIFICATIONS**

Weight (R3114/R3138): diaphragm model ~1.6 kg (~3.5 lb), piston model ~1.9 kg (~ 4.2 lb)

Weight (R3121): diaphragm model ~2.2 kg (~4.8 lb), piston model ~2.3 kg (~5 lb)

Operating temperature: -20°C ÷ +60°C (-4 °F ÷ +140 °F) for standard version

Main valve leakage classification: VI (bubble tight)

Flow coefficient R3114/R3138:  $K_v = 0.5 \text{ Nm}^3/\text{h}$   $C_v = 0.59 \text{ US gal/min}$

Flow coefficient R3121:  $K_v = 1.8 \text{ Nm}^3/\text{h}$   $C_v = 2.11 \text{ US gal/min}$

Degree of protection: IP25

G $\frac{1}{4}$  gauge port on both sides

## **MATERIALS**

Body and bonnet: stainless steel AISI 316L

Internal parts: stainless steel AISI 316L

Main valve spring: stainless steel AISI 304 (for R3114 and R3138), AISI 316 (for R3121)

Adjusting spring: stainless steel AISI 302 (not in contact with the fluid)

Diaphragm: stainless steel AISI 316L

Piston: stainless steel AISI 316L

O-Rings: NBR/FPM/EPDM depending on the fluid (different compounds available on request)

Main valve gasket: NBR/FPM/EPDM depending on the fluid

PUR for inlet pressure greater than 30 bar

Other compounds available on request

## **ACCESSORIES**

Pilot-controlled version, the outlet pressure is controlled by a pilot regulator

Panel mounting ring-nut

Wall mounting bracket + ring-nut

Overpressure relieving function (only for compressed air versions)

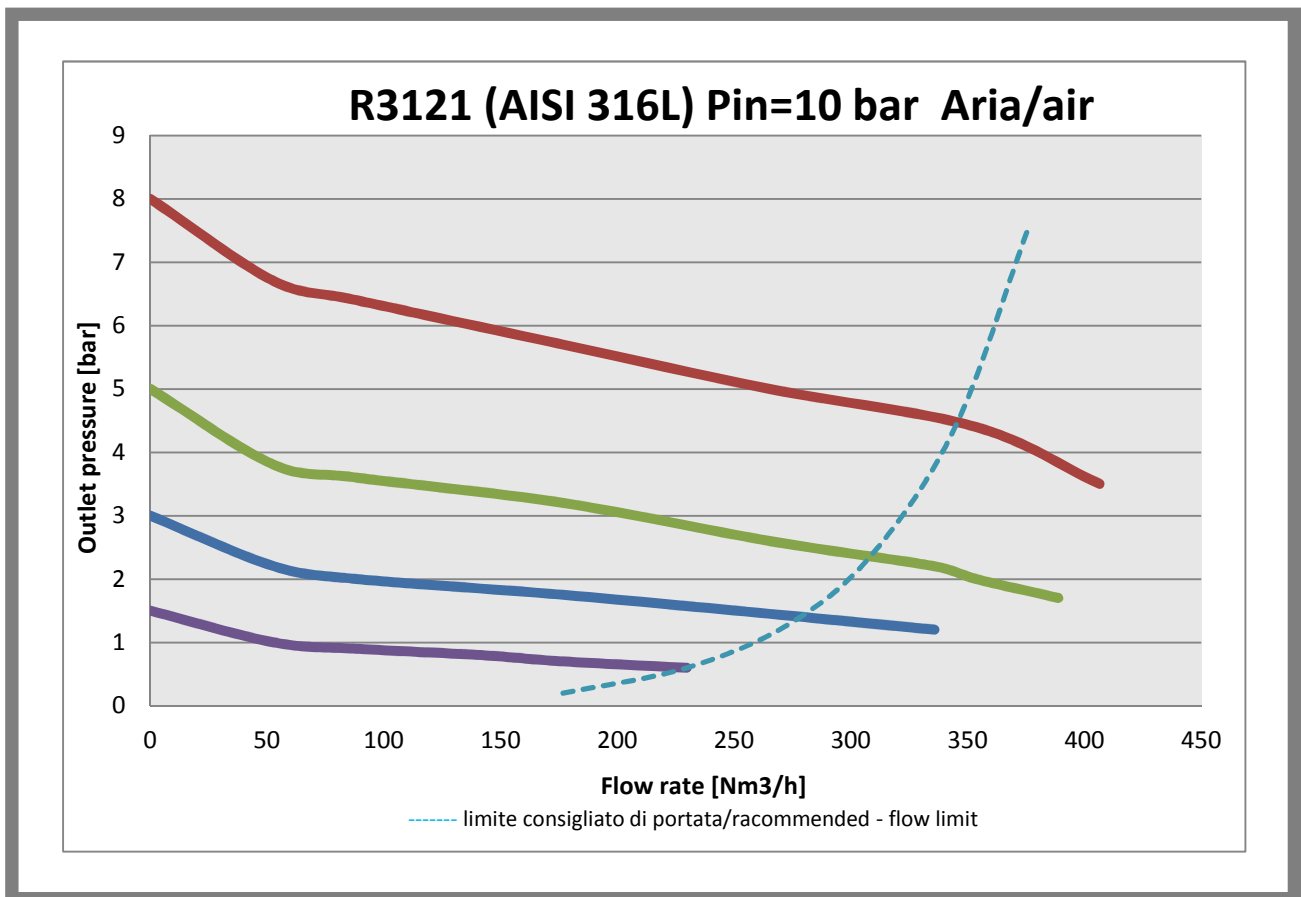
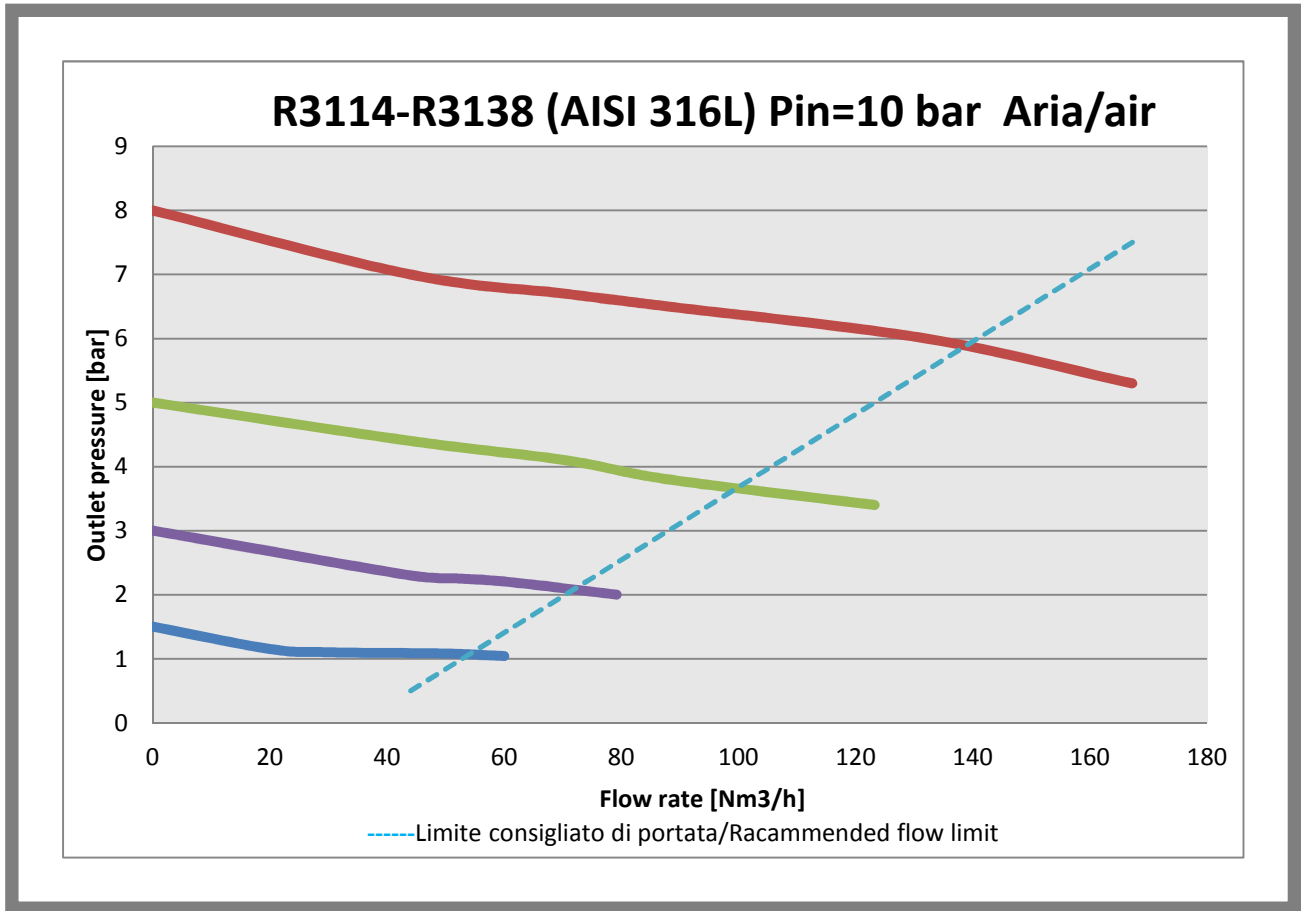
Gauge for outlet pressure (accuracy class 1.6)

## **SPARE PARTS**

Gauges

Complete kit: net filter, complete main valve, o-rings, assembled diaphragm

flow charts



## generating the product code

Reg. R3121+R3114R3138			
AA BB CC DD E F GG			
AA	Attacchi / Connections	L0	R3138 G3/8-F
		N0	R3114 G1/4-F
		P0	R3121 G1/2-F
BB	Pressione d'ingresso / Inlet pressure	D0	30bar
		E0	50bar
		H0	15bar
CC	Intervallo d'uscita/ Outlet range	A0	Pout 0,2 - 1,5 bar
		B0	Pout 0,3 - 3 bar
		D0	Pout 0,8 - 8 bar
		E0	Pout 1,5 - 15 bar
		F0	Pout 3-30 bar
		G0	Pout 5-50 bar
DD	Tipologia di fluido / Fluid type	01	Relieving
		02	NH3 3-UNI 11144
		15	O2
		97	NBR
		98	EPDM
		99	FPM
E	Pilotato / Pilot operated	n	Non pilotato
		p	Pilotato
F	Marchiato / Marked	I	ID
		Z	Dir ATEX 2014/34/EU
GG	Accessori/Accessories	00	Nessun accessorio

### CODE COMPOSITION EXAMPLE

**533#N0 D0 D0 99 N I 00**

**521#:** standard AISI 316L pressure regulator

**N0:** connection G ¼-F

**D0:** maximum inlet pressure 30 bar

**D0:** outlet pressure range 0,8-8 bar

**97:** NBR gaskets

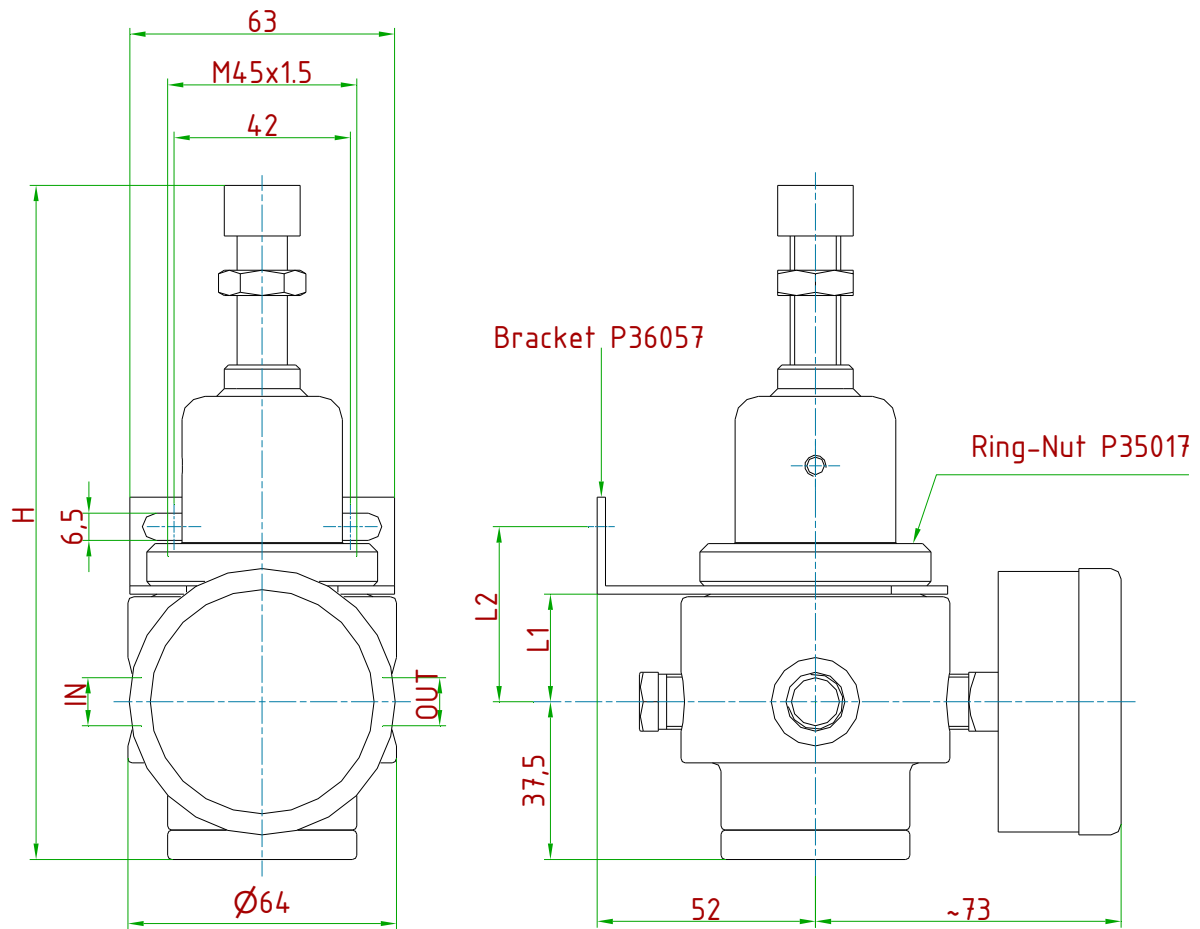
**N:** not pilot-controlled

**I:** ID

**00:** no accessories

technical drawings (all dimensions in mm)

Bracket and Ring-Nut to be ordered separately  
 Kit order number: M13302



TYPE	IN/OUT
R3114 1/4"GF	G 1/4"-F
R3138 3/8" GF	G 3/8"-F
R3114 1/4"NPTF	1/4" NPT-F
R3138 3/8" NPTF	3/8" NPT-F

TYPE	H	L1	L2	OUTLET PRESSURE
Diaphragm	~161	26	42	UP TO 15 bar
Piston	~175	42.5	58.5	MORE THAN 15 bar

# technical drawings (all dimensions in mm)

Bracket to be ordered separately, Kit order number: M13304

TYPE	IN/OUT
R3121 1/2"GF	G 1/2-F
R3121 1/2"NPTF	1/2"NPT-F

