

310R3

Stainless steel AISI 316L precision pressure regulator



FEATURES

Precision pressure regulator for inlet pressure up to 7 bar (101 psi).

Connections 3/4"-F, 1"-F, 1"1/4-F and 1"1/2-F by flanges screwed to the body. Other connections available on request.

Outlet pressure is controlled by a rubber diaphragm.

The regulator's main valve is balanced.

Available the ATEX 2014/34/EU version
Brand $\text{CE} \text{II}2\text{GclICTX}$
 $\text{CE} \text{II}2\text{DclICTX}$.

For use in potentially explosive atmospheres zones: 1, 21, 2, 22 (not applicable in mines and zone 0).

Available the EAC-EX TP TC 012/2011 versions for the Russian market.

The product complies with the directive 2014/68/EU PED.

SPECIFICATIONS

Weight model A/B/C: ~15,1 kg (~33,3 lb)

model D/E: ~16,5 kg (~36,2 lb)

Operating temperature: -20°C ÷ +80°C (-4°F ÷ 176°F) for standard version

Main valve leakage classification: VI (bubble tight)

Flow coefficient: $K_v = 15 \text{ Nm}^3/\text{h}$ - $C_v = 17,5 \text{ US gal/min}$ (Models A/B/C)

$K_v = 36 \text{ Nm}^3/\text{h}$ - $C_v = 42 \text{ US gal/min}$ (Model D)

$K_v = 23 \text{ Nm}^3/\text{h}$ - $C_v = 27 \text{ US gal/min}$ (Model E)

Degree of protection: IP25

G 1/4 or 1/4" NPT ports for outlet pressure gauge

MATERIALS

Body and bonnet: stainless steel AISI 316L

Internal parts: stainless steel AISI 316L

Main valve spring: stainless steel AISI 302

Adjusting spring: C85 nickel plated NiP/Fe 15 µm, not in contact with the fluid

Diaphragm: NBR and PTFE coupled diaphragms (PTFE diaphragm in contact with the fluid)

Gaskets: FPM (EPDM for NH₃, CO₂ and N₂O)

ACCESSORIES

Gauge kit: accuracy class 1,6

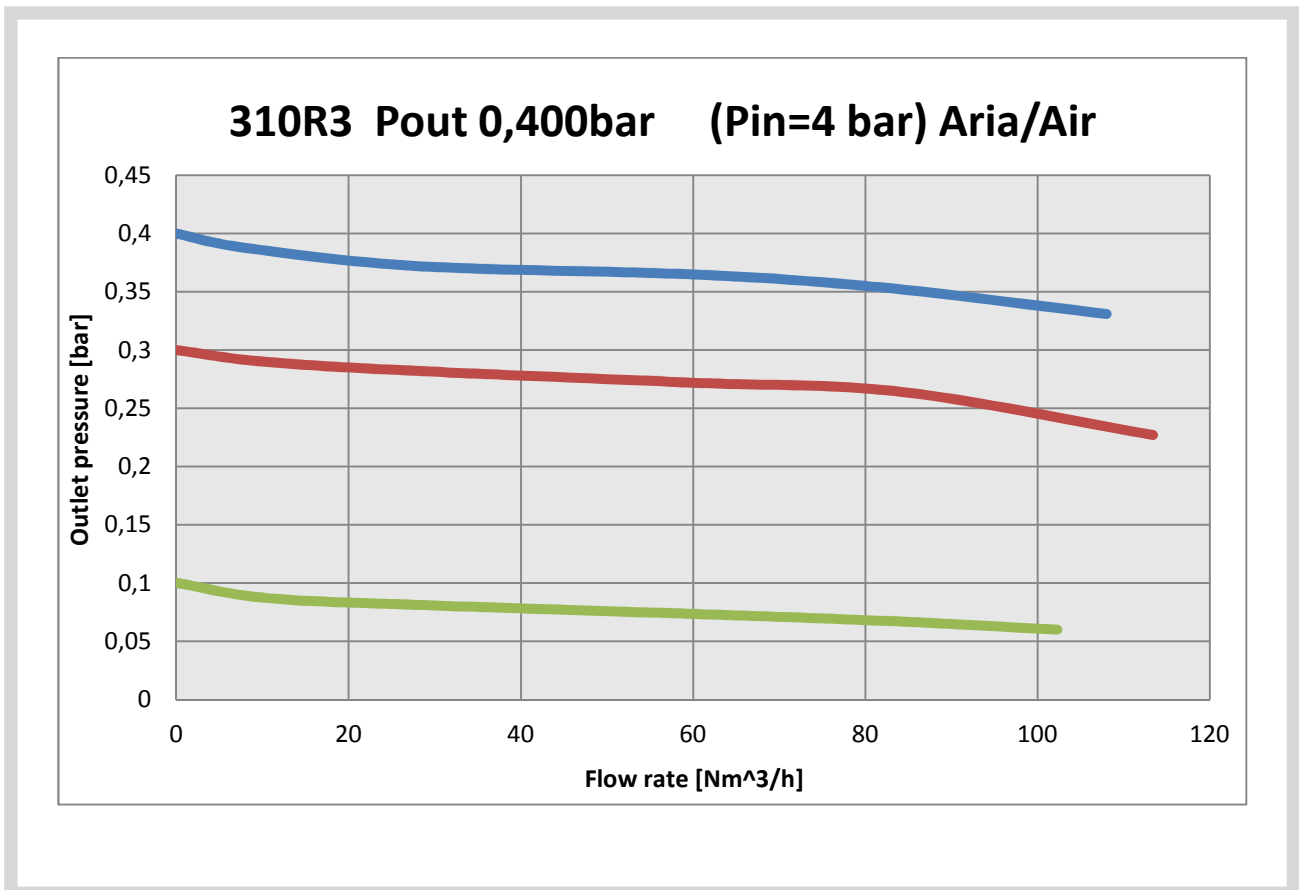
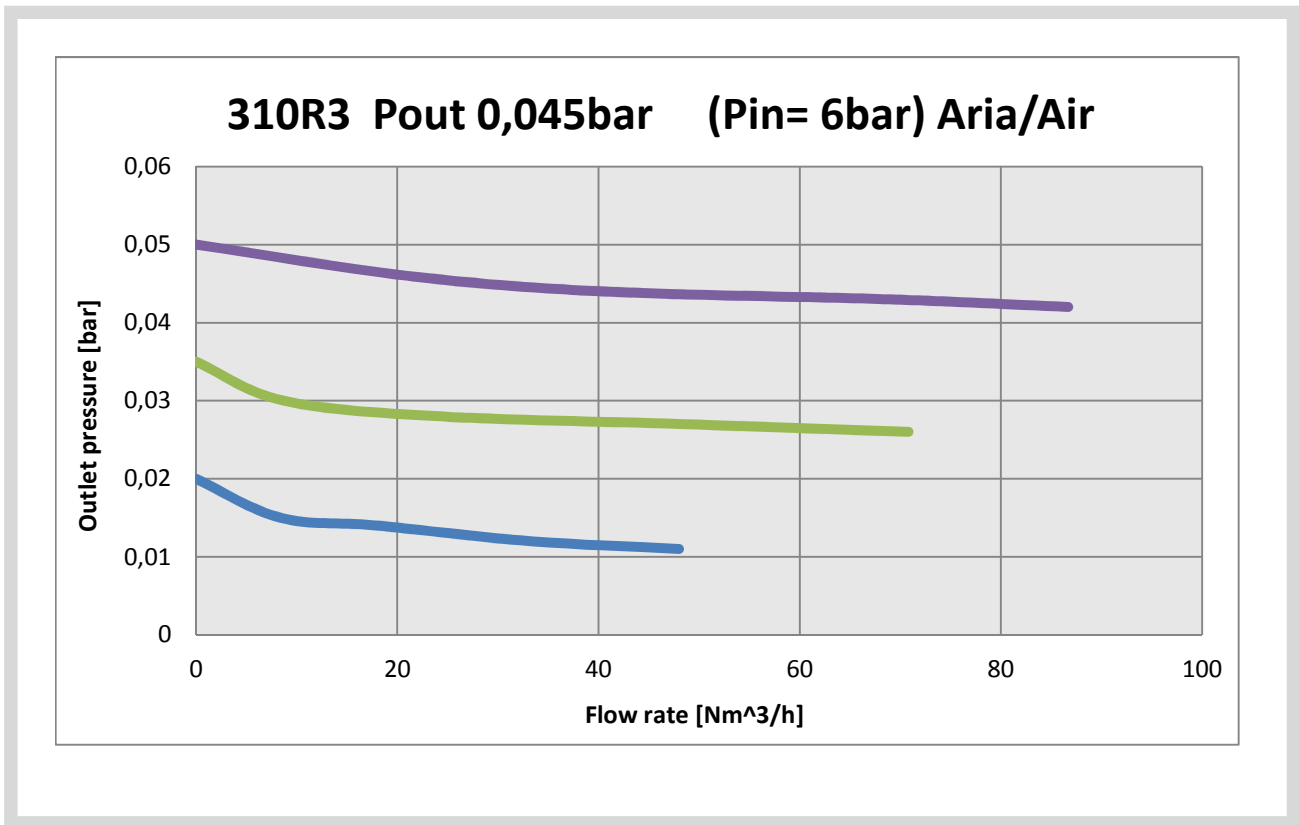
Gasket material different from standard

SPARE PARTS

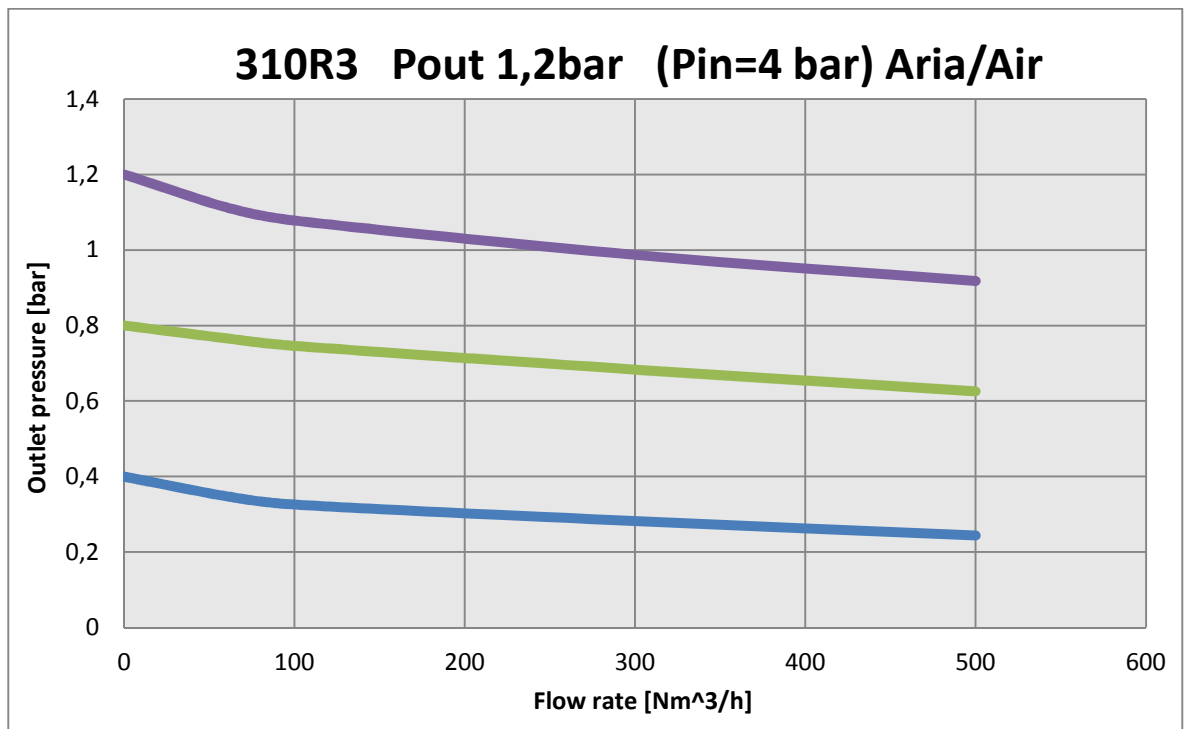
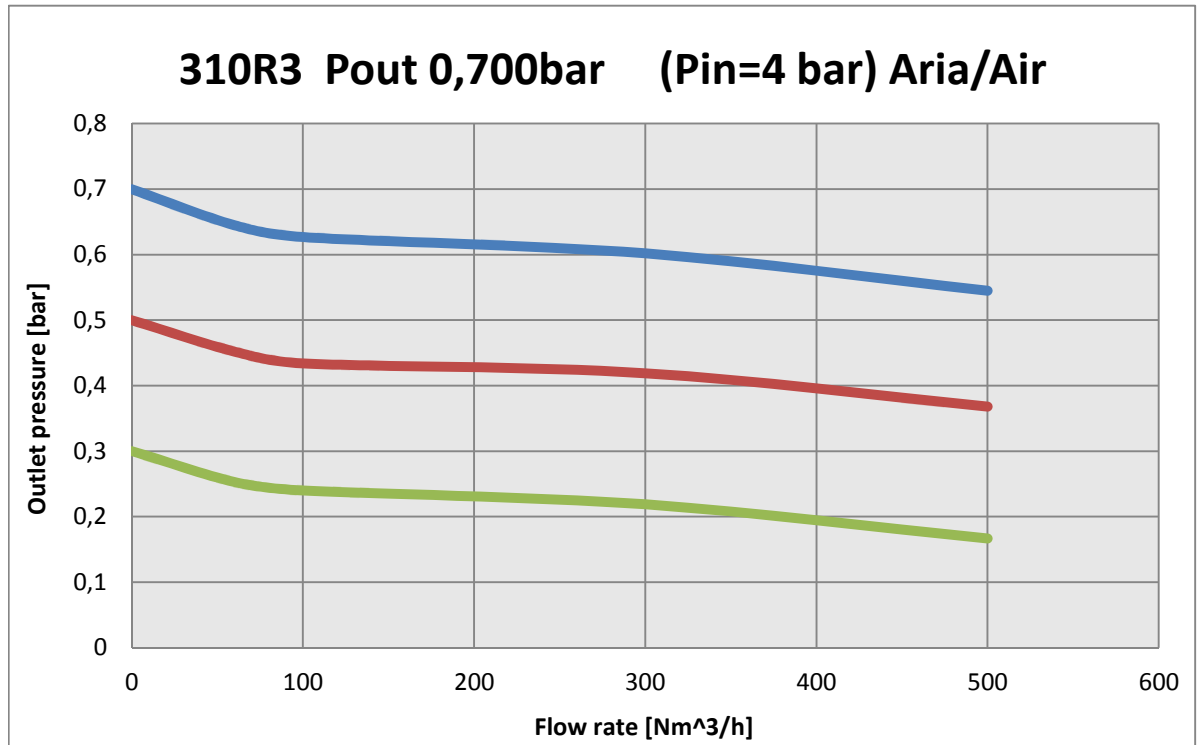
Gauges

Complete kit: assembled diaphragm, net filter, main valve, O-rings

flow chart



flow chart



generating the product code

Regolatore 3° stadio 310R3 AISI 316L			
AA BB CC DD EE FF			
AA	Attacchi / Connections	Q0	G 3/4-F
		R0	G 1-F
		J0	G 1"1/4-F
		S0	G 1"1/2-F
BB	Pressione ingresso / Inlet pressure	I0	PS 7bar
CC	Intervallo uscita - Outlet range	N0	Mod. A Pout 5÷45 mbar
		J0	Mod. B Pout 10÷120 mbar
		K0	Mod. C Pout 10÷400 mbar
		T1	Mod. D Pout 15÷700 mbar
		AA	Mod. E Pout 0,2÷1,2 bar
DD	Tipologia di fluido / Fluid type	15	O2
		98	EPDM
		99	FPM
EE	Marchiato / Marked	I0	ID
		Z0	Dir. ATEX 2014/34/UE
FF	Accessori / Accessories	0	Nessun accessorio

CODE COMPOSITION EXAMPLE

310R3# R0 I0 N0 99 I0 0

310R3#: AISI 316 L precision regulator 310R3

R0: connection G 1-F

I0: maximum inlet pressure 7 bar

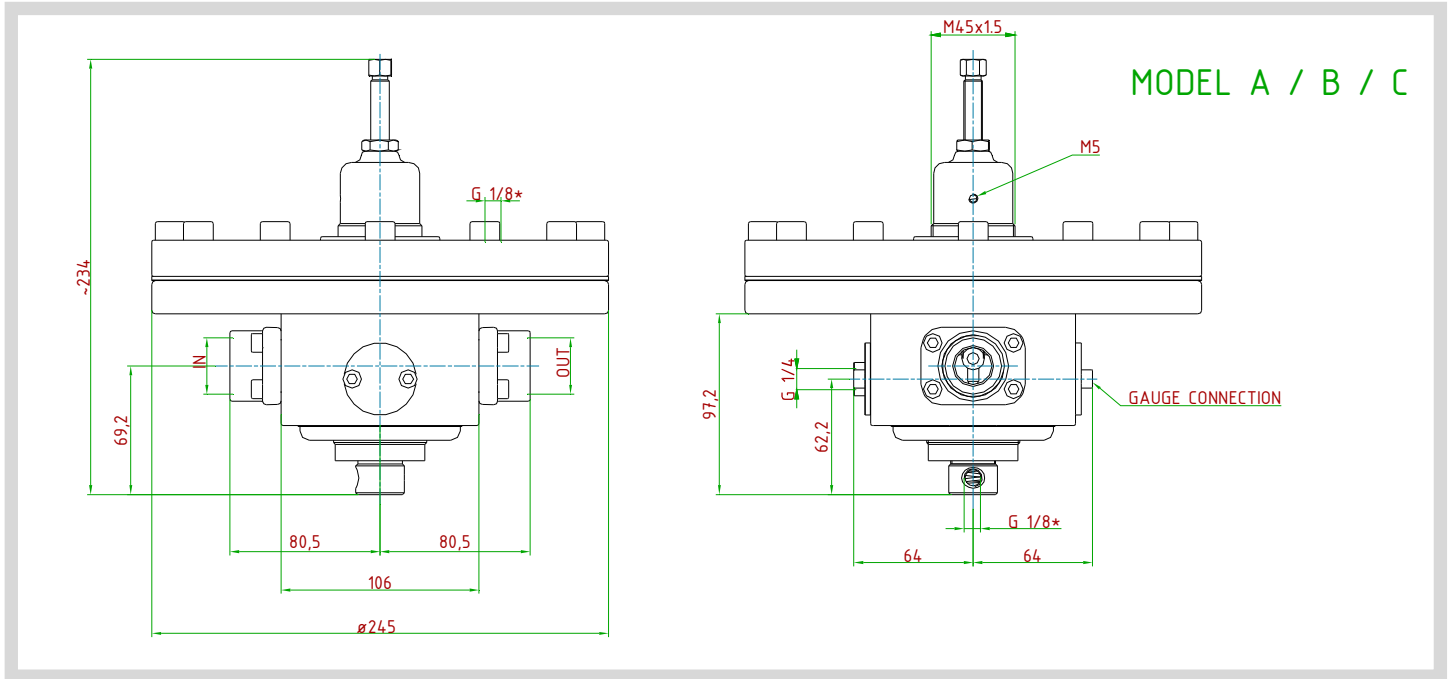
N0: Outlet pressure range 5÷45 mbar

99: FPM gaskets

I0: Insert Deal

00: No accessories

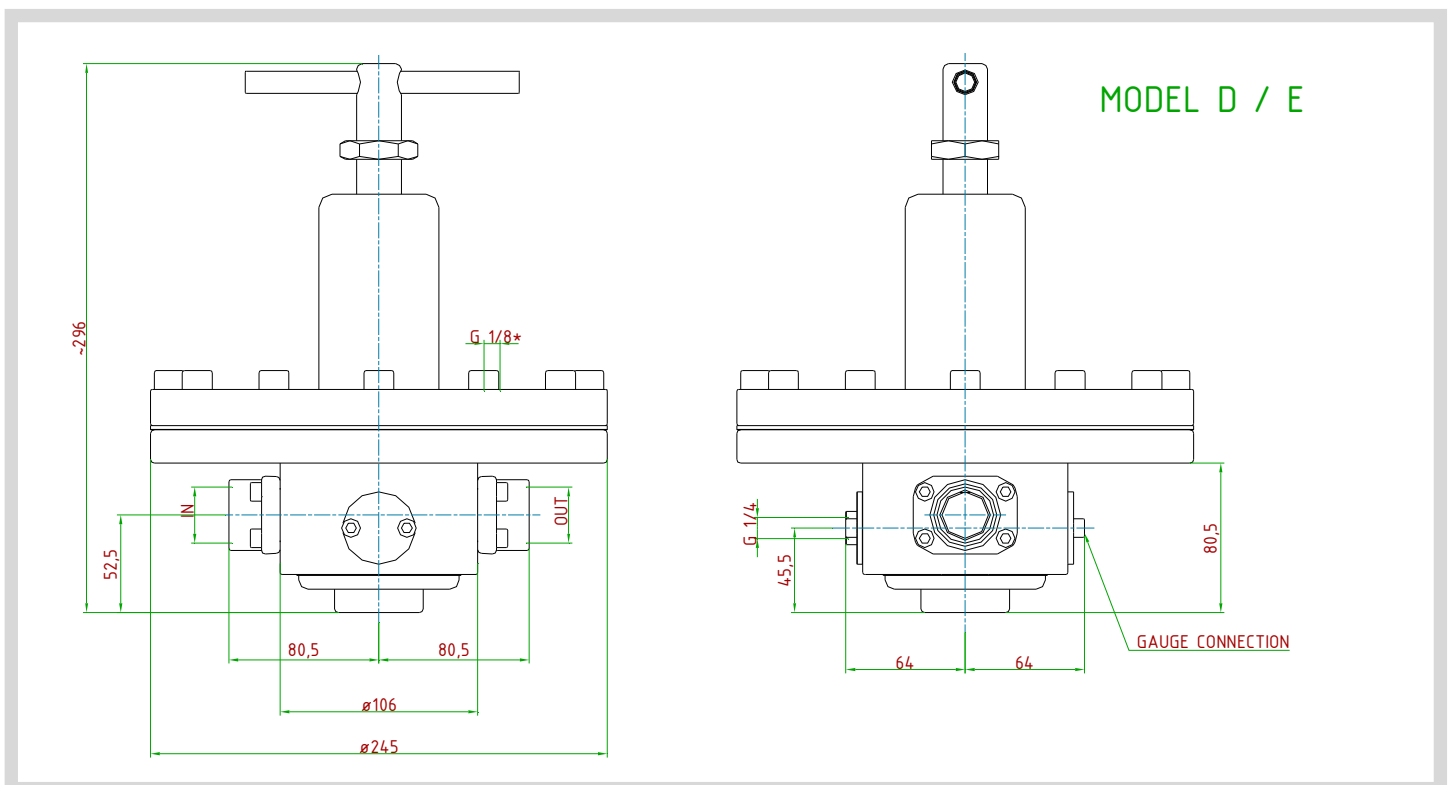
technical drawings (dimensions in mm)



MODEL A / B / C

*For pipe connection when required; Random orientation

TYPE	IN/OUT	GAUGE CONNECTION
310R3 3/4" GF	G 3/4 -F	G 1/4
310R3 1" GF	G 1 -F	G 1/4
310R3 3/4"NPTF	3/4" NPT-F	1/4" NPT-F
310R3 1"-NPTF	1" NPT-F	1/4" NPT-F



MODEL D / E