

310F2

Stainless steel AISI 316L filter “serie 10” for compressed air, gases and liquids



FEATURES

Filter for inlet pressure up to 50 bar (725 psi) in the standard version.

Inlet and outlet connections:

3/4"-F;

1"-F;

1"1/4-F;

1"1/2-F;

GAS or NPT, by flanges screwed to the body.

Connection with EN or ASME flanges available on request.

Filter elements: 5 µm o 50 µm.

Available versions with automatic drain SAI (up to 16 bar) or manual drain SM (up to 30 bar). For inlet pressure greater than 30 bar and for versions for gases and liquids the drain is through hexagonal cap.

Available the ATEX 2014/34/EU version.

Branding: $\text{CE} \text{ II2GcICTX}$

$\text{CE} \text{ II2DcIICTX}$.

For use in potentially explosive atmospheres zones: 1, 21, 2, 22 (not for use in mines and zone 0).

The product complies with the directive 2014/68/EU (PED).

Available the EAC-EX TP TC 012/2011 versions for the Russian market.

It is possible to assemble units composed of: Filter + Regulator + Lubricator

SPECIFICATIONS

Operating temperature: -20°C ÷ +80°C (-4°F ÷ 176°F) for standard version

Degree of protection: IP26

Bowl capacity: 500 cc (17 fluid ounce)

MATERIALS

Body: stainless steel AISI 316L

Bowl: stainless steel AISI 316L

Internal parts: stainless steel AISI 316L

O-Rings: FPM (other compounds available on request)

ACCESSORIES

Bracket

Manual drain

Automatic drain

SPARE PARTS

Filter elements

Complete Kit: filter element, O-rings

generating the product code

Filtro serie 10 AISI 316L			
AA BB CC D EE F GG			
AA	Attacchi / Connections	Q0	G 3/4-F
		R0	G 1-F
BB	Pressione d'ingresso / Inlet pressure	D0	PS 30 bar
		E0	PS 50 bar
		H1	PS 16 bar
CC	Tipologia di fluido / Fluid type	15	O2
		18	EPDM x liquidi
		19	FPM x liquidi
		98	EPDM
		99	FPM
D	Filtrante / Filter	C	5µm
		H	50µm
		J	99,99% Coalescente
EE	Tazza + scarico / Bowl + drain	19	SAI
		20	SM
		21	Tappo
F	Marchiato / Marked	I	ID
		Z	Dir ATEX 2014/34/EU
GG	Accessori/Accessories	00	Nessun accessorio

CODE COMPOSITION EXAMPLE

310F2# R0 E0 99 H 21 I 00

310F2#: Filter serie 10 AISI 316L

R0: Connection G1-F

E0: Inlet pressure up to 50 bar

99: O-rings in FPM

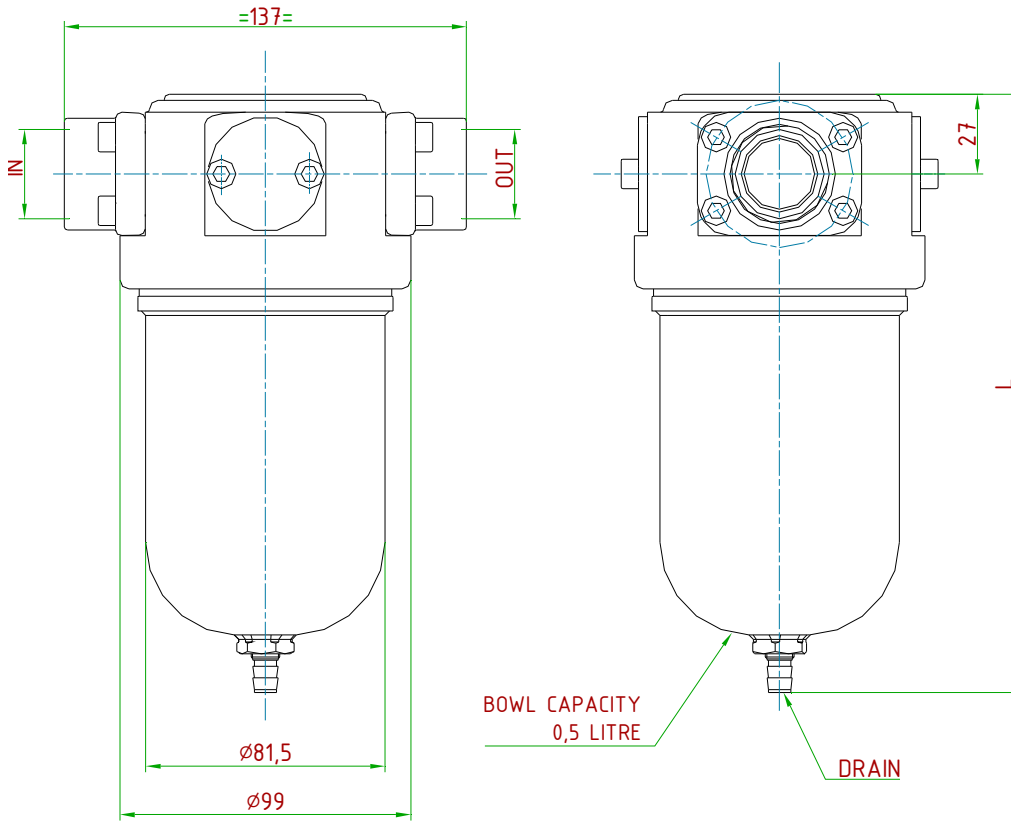
H: Filtration 50 µm

21: hexagonal CAP

I: ID

00: No accessories

technical drawings (all dimensions in mm)



GAS FILTRATION	
CARTRIDGE	MATERIAL
5 µm	AISI 316L
50 µm	AISI 316L
0,01 µm 99,99% coalescing	/

TYPE	IN/OUT	FLANGE
310F2 G1	G1-F	P37083
310F2 G3/4	G3/4-F	P37085
310F2 1"NPT	1"NPT-F	P37084
310F2 3/4"NPT	3/4"NPT-F	P37086

DRAIN	PS [bar]	L [mm]
AUTOMATIC	16	~203
MANUAL	30	~196
CAP	50	~194

