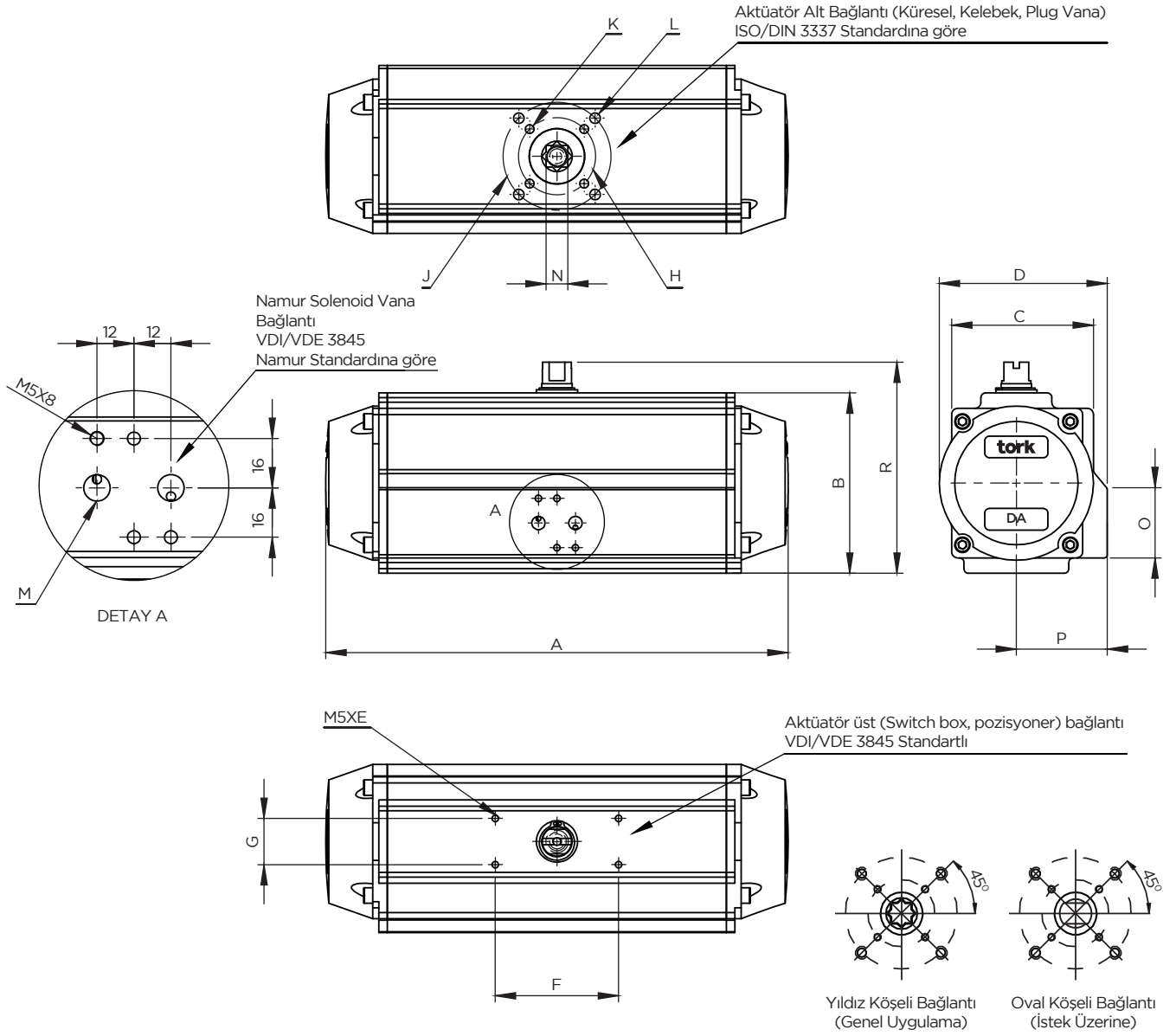


# Rack & Pinion Pnömatik Aktüatör 2 Pozisyonlu 180° Dönüşlü / Ölçüler



## ÖLÇÜLER (mm)

AKTÜATÖR MODELLERİ	A	B	C	D	E	F	G	H	J	K	L	M	N	O	P	R	ISO FLANŞ H İÇİN	ISO FLANŞ J İÇİN
RA/RX/RAM/RXM 40.8D	178.2	70	52	70.6	8	80	30	36/42/50	-	M5	M6	1/8"	9/11	45	40	90	F03/F04	F05
RA/RX/RAM/RXM 60.8D	241.6	85.2	62	82.7	8	80	30	42/50	70	M5/M6	M8	1/8"	9/11/14	47	47	10	F04/F05	F07
RA/RX/RAM/RXM 80.8D	333	117	91.8	109	8	80	30	50	70	M6	M8	1/8"	14	55	58	137	F05	F07
RA/RX/RAM/RXM 100.8D	402	130	95	121	8	80	30	70	102	M8	M10	1/4"	17	61	65	160	F07	F10
RA/RX/RAM/RXM 120.8D	481	160	116.2	150	8	80	30	70	102	M8	M10	1/4"	17/22	82	87.2	190	F07	F10

## ÇALIŞMA BASINCI (Bar)

TORK DEĞERLERİ (Nm)	2.5	3	3.5	4	4.5	5	5.5	6	6.5	7	7.5	8
RA/RX/RAM/RXM 40.8D	7.5	9	10.5	12	13.5	15	16.5	18	19.5	21	22.5	24
RA/RX/RAM/RXM 60.8D	14	18	22	26	30	34	38	42	46	50	54	58
RA/RX/RAM/RXM 80.8D	26	38	50	62	74	86	98	110	122	134	146	158
RA/RX/RAM/RXM 100.8D	73	88	103	118	133	148	163	178	193	208	223	238
RA/RX/RAM/RXM 120.8D	137.5	165	192.5	220	247.5	275	302.5	330	357.5	385	412.5	440