

R130 – R130/2" brass

Brass pressure regulator,
for compressed air, gas and liquid



FEATURES

Pressure regulator for inlet pressure up to 50 bar (725 psi) in the standard version.

Connections by flanges screwed to the body.

R130 1" 1/2-F

R130/2" 2"-F

Connections with EN or Asme flanges available on request.

Outlet pressure is controlled by a brass piston.

Available the ATEX 2014/34/EU version.

Brand X II2GcIICTX

X II2DcIICTX.

For use in potentially explosive atmospheres zones: 1, 21, 2, 22 (not applicable in mines and zone 0).

Available the EAC TP TC 032/2013 or EAC-EX TP TC 012/2011 versions for the Russian market.

The product complies with the directive 2014/68/EU PED.

Gauge for outlet pressure, accuracy class 1.6.

SPECIFICATIONS

Weight: ~14 Kg (~31 lb)

Standard version operating temperature: -20°C ÷ +60°C (-4° F ÷ +140° F)

Main valve leakage classification: VI (bubble tight)

Flow coefficient: $K_v = 12.6 \text{ Nm}^3/\text{h}$ $C_v = 14,7 \text{ US gal/min}$

G1/4 port for gauge on both sides

MATERIALS

Body: brass

Bonnet: aluminium

Internal parts: brass

Main valve spring: stainless steel AISI 302

Adjusting spring: C85 (not in contact with the fluid)

Piston: brass

O-Rings: NBR (other compounds available on request)

Main valve gasket: NBR for inlet pressure up to 30 bar

PUR for greater inlet pressure

(other compounds available on request)

ACCESSORIES

Pilot operated version, pressure setpoint to be controlled by a pilot regulator

Wall mounting bracket kit

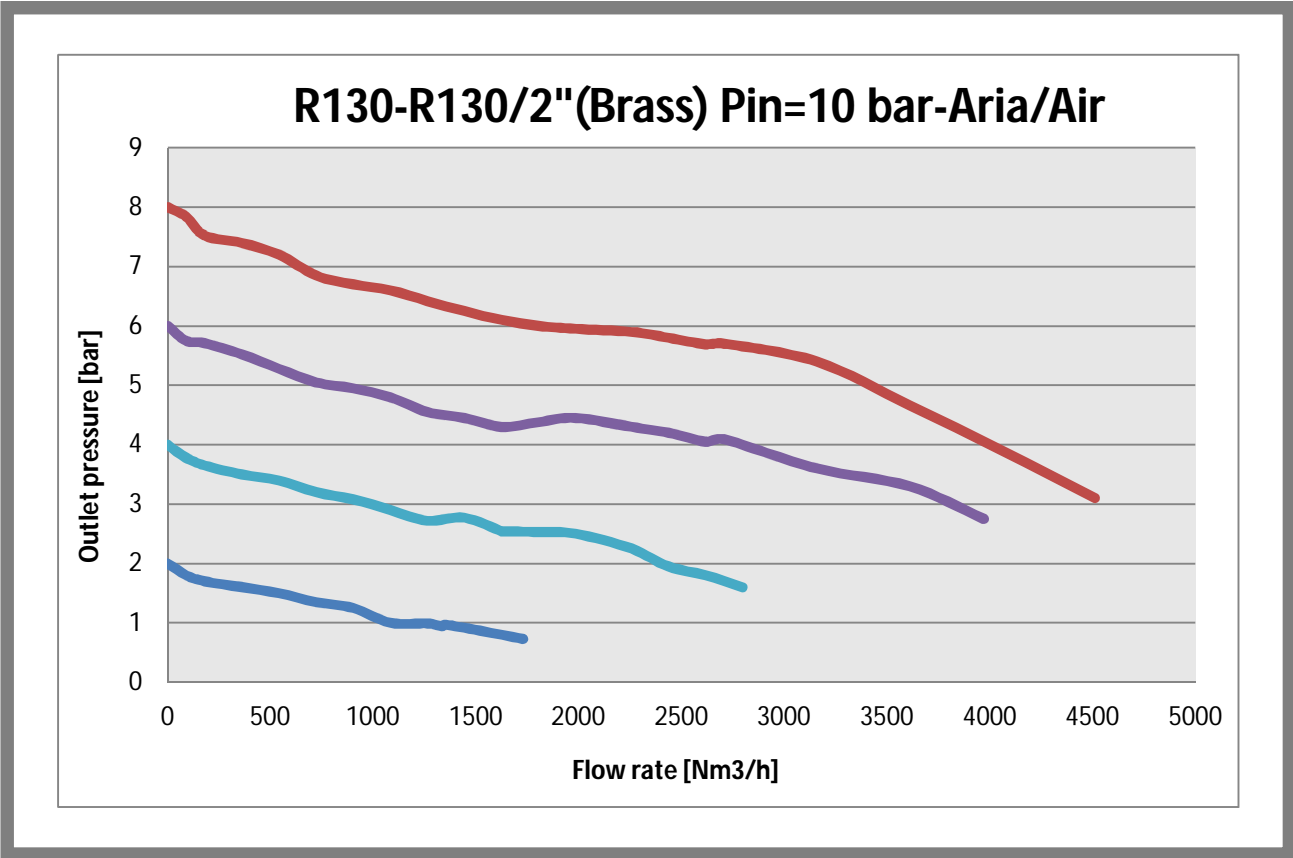
Overpressure relieving function, only for compressed air version

SPARE PARTS

Gauge

Complete kit: net filter, complete main valve, O-rings.

flow charts



generating the product code

R 130 IN CW614N			
AA BB CC DD E F GG			
AA	Attacchi / Connections	S0	G 1" 1/2 - F
		T0	G 2"-F
BB	Pressione d'ingresso / Inlet pressure	D0	30 bar
		E0	50 bar
CC	Intervallo d'uscita/ Outlet range	A0	MOD A Pout 0,2 ÷ 1,5 bar
		B0	MOD B Pout 0,3 ÷ 3 bar
		D0	MOD C Pout 0,8 ÷ 8 bar
		E0	MOD F Pout 1,5 ÷ 15 bar
		F0	MOD G Pout 3 ÷ 30 bar
		G0	MOD L Pout 5 ÷ 50 bar
DD	Tipologia di fluido / Fluid type	15	O2 CAT II
		19	FPMx liquidi
		97	NBR CAT I
		98	EPDM CAT I
E	Pilotato / Pilot operated	n	Non pilotato
		p	Pilotato
F	Marchiato / Marked	I	ID
		Z	Dri. ATEX 2014/34/EU
GG	Accessori/Accessories	00	Nessun accessorio

CODE COMPOSITION EXAMPLE

130#S0 D0 D0 15 N I 00

130#: Regulator R130 in brass

S0: Connection G 1 1/2-F

D0: Maximum inlet pressure 30 bar

D0: Outlet pressure range 0,8-8 bar

15: Oxygen version

N: Not pilot operated

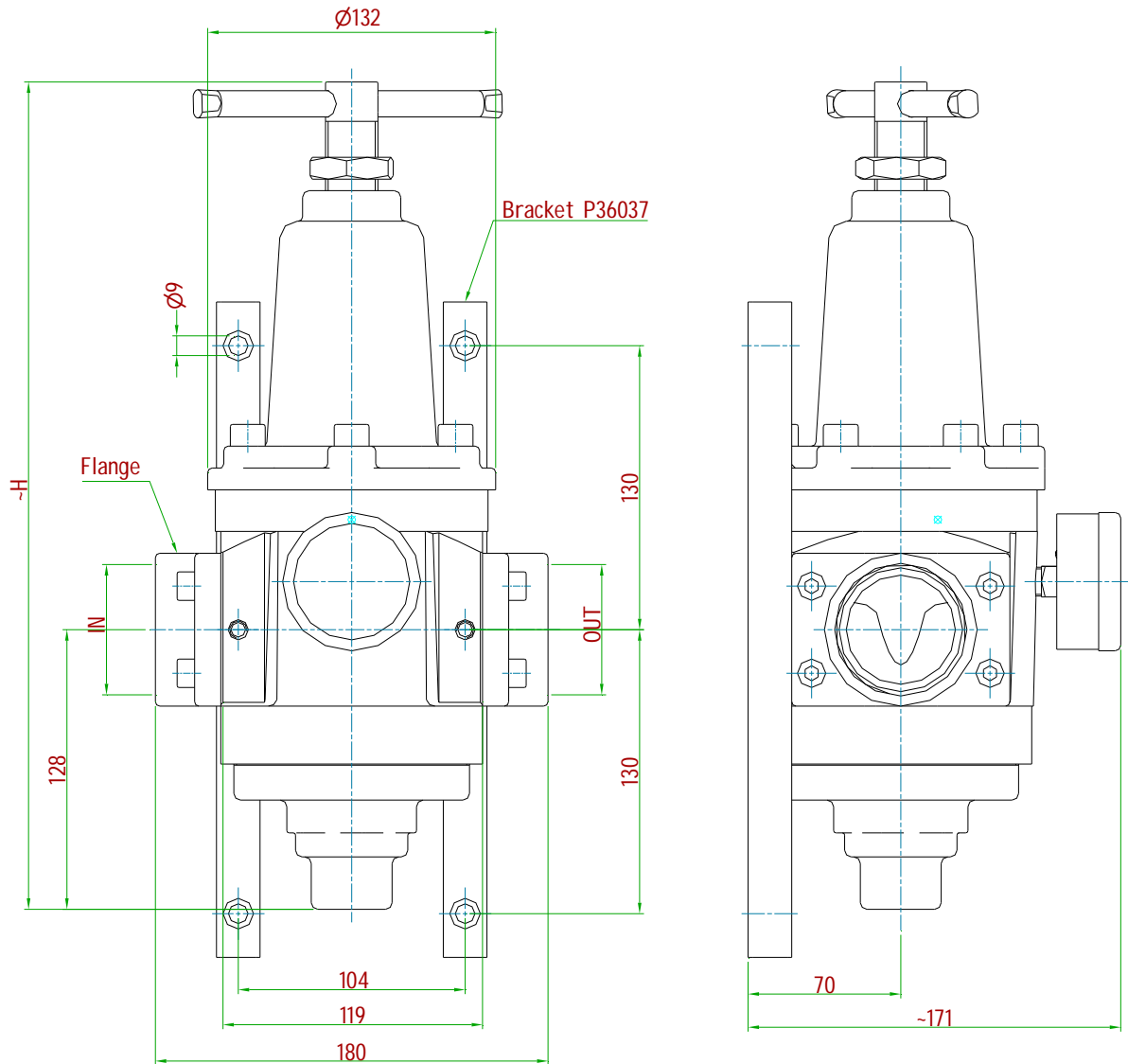
I: Insert Deal

00: No accessories

technical drawings (all dimensions in mm)

Brackets to be ordered separately, Kit order number: M11202

OUTLET PRESSURE				-H
0,2÷1,5	0,3÷3	0,8÷8	1,5÷15	387
	3÷30	5÷50		402



TYPE	IN/OUT	FLANGE	KIT NBR	KIT FPM FOR O2	KIT EPDM
2" GF	G2-F	P37045	-	M21106	M21104
1"-1/2 GF	G1 1/2-F	P37044	M21101	M21105	-
2" NPT F	2" NPT-F	P37047	-	-	-
1"-1/2 NPT F	1 1/2" NPT-F	P37046	-	-	-

Kit includes: flange, screws and o-ring