

# FILTER "SERIE 10"

Brass filters,  
suitable for compressed air, gas and liquid



## FEATURES

Filter for inlet pressure up to 50 bar (725 psi) in the standard version.

Inlet and outlet connections 1" – F and 3/4" –F. Different connections available on request.

Brass body from bar and drawn stainless steel AISI 316L bowl.

Filtration rate: 5  $\mu\text{m}$ , 50  $\mu\text{m}$  or coalescing (0.01  $\mu\text{m}$ /99.99%).

Compressed air condensation drain:

- Automatic drain SAI for pressure up to 16 bar (232 psi);
- Manual drain for pressure up to 30 bar (435 psi).

Hexagonal cap drain for pressure up to 50 bar (725 psi) and for gas and liquid.

Available the EAC-EX TP TC 012/2011 versions for the Russian market.

The product complies with the directive 2014/68/EU PED.

Available units composed of:

- Filter + Regulator + Lubricator, or
- Filter+Filter-regulator.

## **SPECIFICATIONS**

Filter weight: ~4,3 kg (~9,48 lb)

Standard version operating temperature: -20 °C ÷ +60 °C (-4 °F ÷ +140 °C)

Degree of protection: IP56, IP66 for cap drain version

Bowl capacity: 500 cc (16,9 US fl oz)

Automatic drain SAI: drains the condensate before builds up to the filter cartridge (only for air version and PS=16 bar)

## **MATERIALS**

Body: brass

Bowl: stainless steel AISI 316L

Internal parts: stainless steel AISI 316L

Filter cartridge: bronze

O-Ring: NBR (different compounds available on request)

Condensation drain: brass

## **ACCESSORIES**

Wall mounting bracket kit

## **SPARE PARTS**

Filter cartridges

Complete kit: filter cartridge and o-ring

Manual drain (NBR o-ring)

Automatic drain (NBR o-ring)

## generating the product code

| FILTRO SERIE 10 IN CW617N |                                     |    |                    |
|---------------------------|-------------------------------------|----|--------------------|
| AA BB CC D EE F GG        |                                     |    |                    |
| AA                        | Attacchi / Connections              | Q0 | G 3/4-F            |
|                           |                                     | R0 | G 1-F              |
| BB                        | Pressione ingresso / Inlet pressure | D0 | PS30bar            |
|                           |                                     | E0 | PS50bar            |
|                           |                                     | H1 | PS16bar            |
| CC                        | Tipologia di fluido / Fluid type    | 15 | O2                 |
|                           |                                     | 18 | EPDM x liquidi     |
|                           |                                     | 19 | FPM x liquidi      |
|                           |                                     | 98 | EPDM               |
|                           |                                     | 99 | FPM                |
| D                         | Filtrante / Filter                  | C  | 5µm                |
|                           |                                     | H  | 50µm               |
|                           |                                     | J  | 99.99% Coalescente |
| EE                        | Tazza+scarico / Bowl and drain      | 19 | SAI                |
|                           |                                     | 20 | SM                 |
|                           |                                     | 21 | TAPPO              |
| F                         | Marchiato / Marked                  | I  | ID                 |
| GG                        | Accessori / Accessories             | 00 | Nessun accessorio  |

### CODE COMPOSITION EXAMPLE

**110F2# R0 E0 99 H 21 I 00**

**110F2#:** Filter serie 10 CW617N

**R0:** Connection G1-F

**E0:** Inlet pressure up to 50 bar

**99:** FPM O-rings

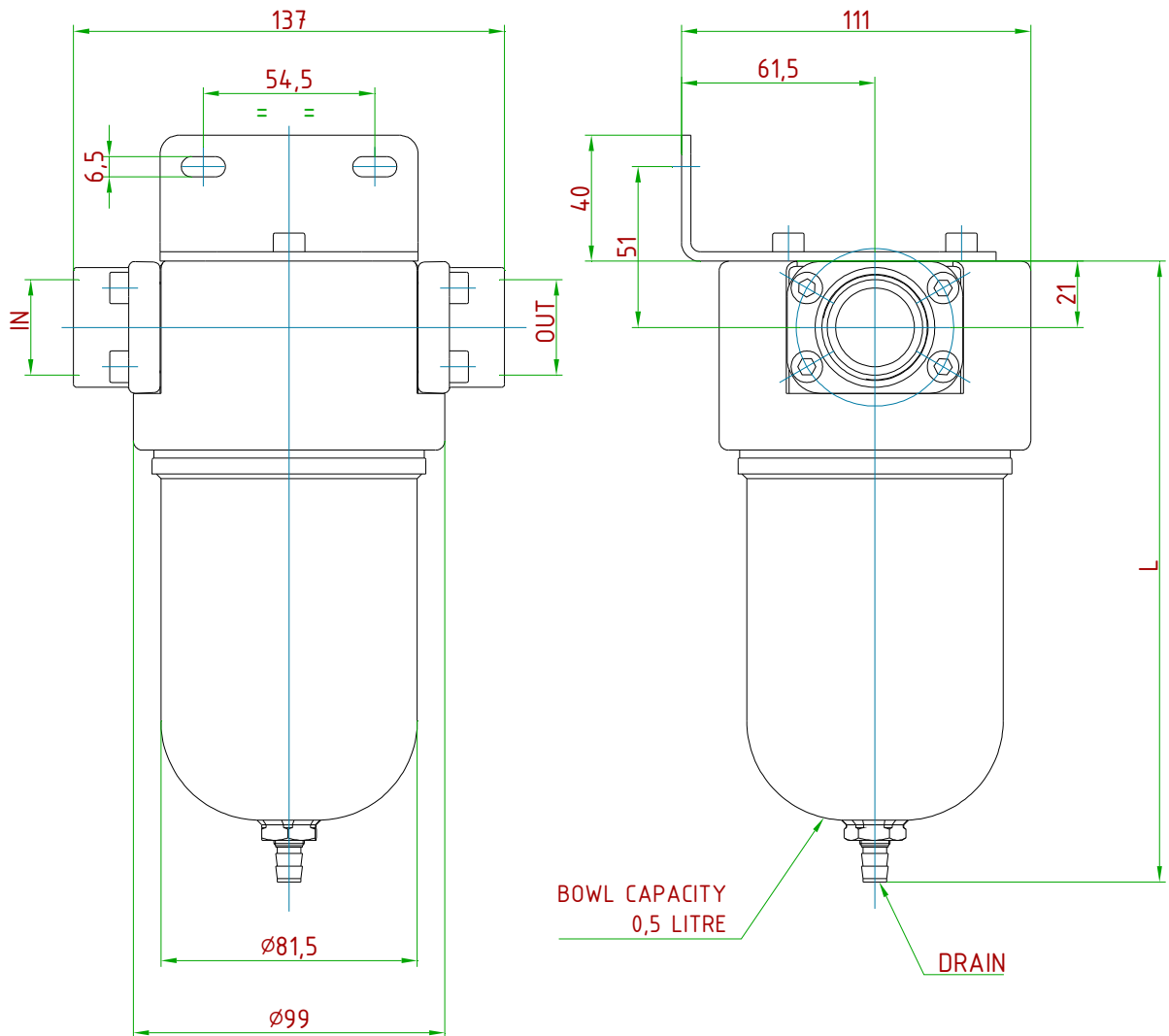
**H:** Filtration 50 µm

**21:** hexagonal CAP

**I**

**00:** No accessories

technical drawings (all dimensions in mm)



Bracket to be ordered separately,  
kit order number M1H302

| DRAIN     | PS [bar] | L [mm] |
|-----------|----------|--------|
| AUTOMATIC | 16       | ~197   |
| MANUAL    | 30       | ~190   |
| CAP       | 50       | ~189   |

| TYPE          | IN/OUT    | FLANGE |
|---------------|-----------|--------|
| 310F2 G1      | G1-F      | P37083 |
| 310F2 G3/4    | G3/4-F    | P37085 |
| 310F2 1"NPT   | 1"NPT-F   | P37084 |
| 310F2 3/4"NPT | 3/4"NPT-F | P37086 |

| GAS FILTRATION            |          |
|---------------------------|----------|
| CARTRIDGE                 | MATERIAL |
| 5 µm                      | Bronze   |
| 50 µm                     | Bronze   |
| 0,01 µm 99,99% coalescing | /        |