

Mini Angle Seat Valve with Visual Indicator Pin (G1/2", G3/4") PP 1035 Series

Application Areas

Water, Air, Vapour, Gas, Chemicals, Petrol Products, Food, Pharmaceutical, Sterilized Environment, Treatment, Dye Machines, Packaging Machines, Drinking Water Station, Vacuum Applications, Oil, Petrol, Alcohol, Hydraulic Oil, Salt Water, Natural Gas, Acid

Technical Features

- On-Off Time** : 30-40 ms
- Fluid Viscosity** : Max. 600 m²/s
- Actuator Material** : Glass fiber reinforced polyamide (PAGF30)
- Positioner and Switch Box** : Mountable
- Connection Type** : Threaded and Flanged
- Control Valve** : 3/2 way TORK Solenoid Valve
- Mounting Way** : The flow should be in the direction of the arrow on the body.
- Body** : AISI 316 stainless steel

The effect of high fluid pressure which will occur among with possible water hammer will be prevented from damaging the internal structure of the valve.

Unlike other mini angle seat valves, there is a yellow coloured mechanical visual indicator pin over plastic cover of the valve.

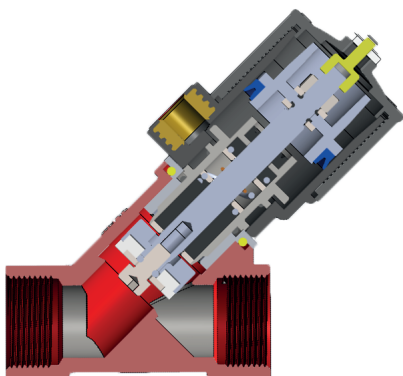
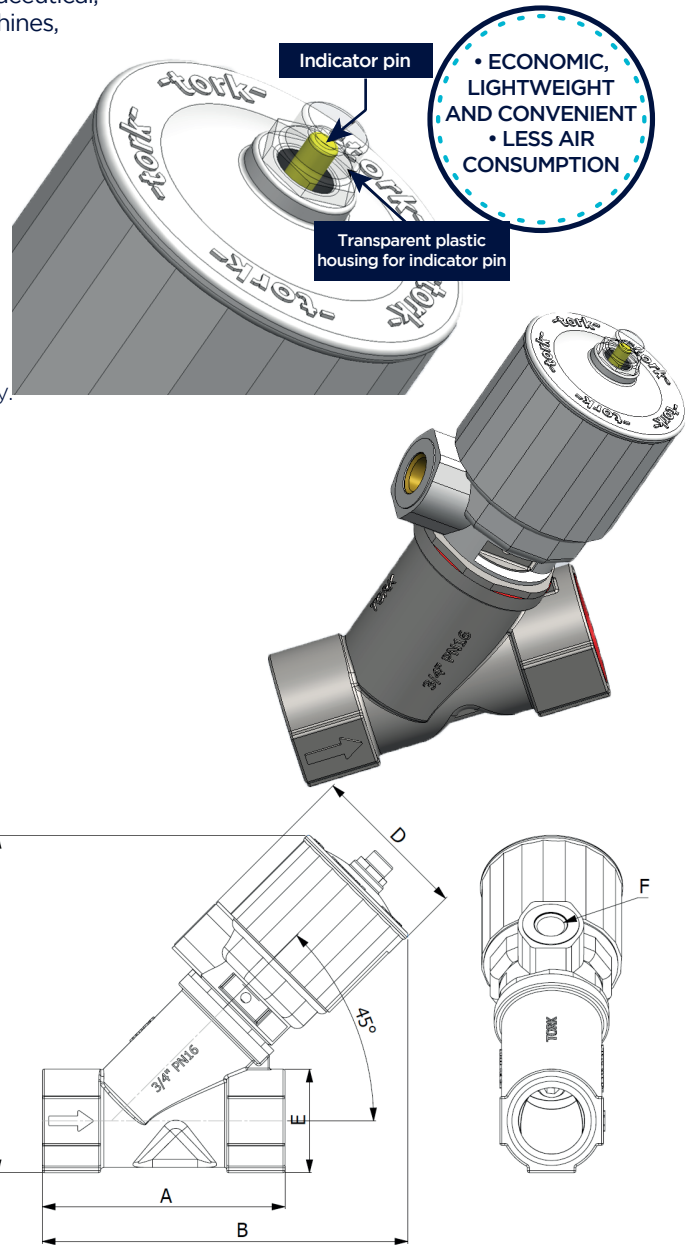
This indicator pin moves upward and shows itself when the valve is opened and keeps itself visible during valve in open condition.

Same pin moves downward and hides itself when valve is closed and keeps itself invisible during valve in closed position. With this movement of the pin, the user can visually check whether the valve is in open or closed condition.

There are two colour options for plastic body and cover of the actuator; black or RAL7040 light grey.

RAL7040 light grey is preferred for food industry so please specify your colour choice at order.

NORMALLY CLOSED



TYPE	DN		A	B	C	D	E	F
	mm	G						
PP1035.03	15	1/2"	62	104	95	49	26	1/8"
PP1035.04	20	3/4"	75	113	104	49	32	1/8"

Valve Type/ Order No	Connection Size	Orifice Size	Working Pressure		Pilot Pressure		Actuator Cylinder	Kv	Fluid Temperature		Seal	Weight
			bar	bar	bar	bar			°C	°C		
PP1035	G"	mm	min	max	min	max	Ø	lt/min	min	max		kg
PP1035.03	1/2"	12	-1	8	6	8	31	45	-20	+110	PTFE	0,35
PP1035.04	3/4"	17	-1	6	6	8	31	90	-20	+110	PTFE	0,48